

FieldQ

Pneumatic Actuators with Integrated Controls

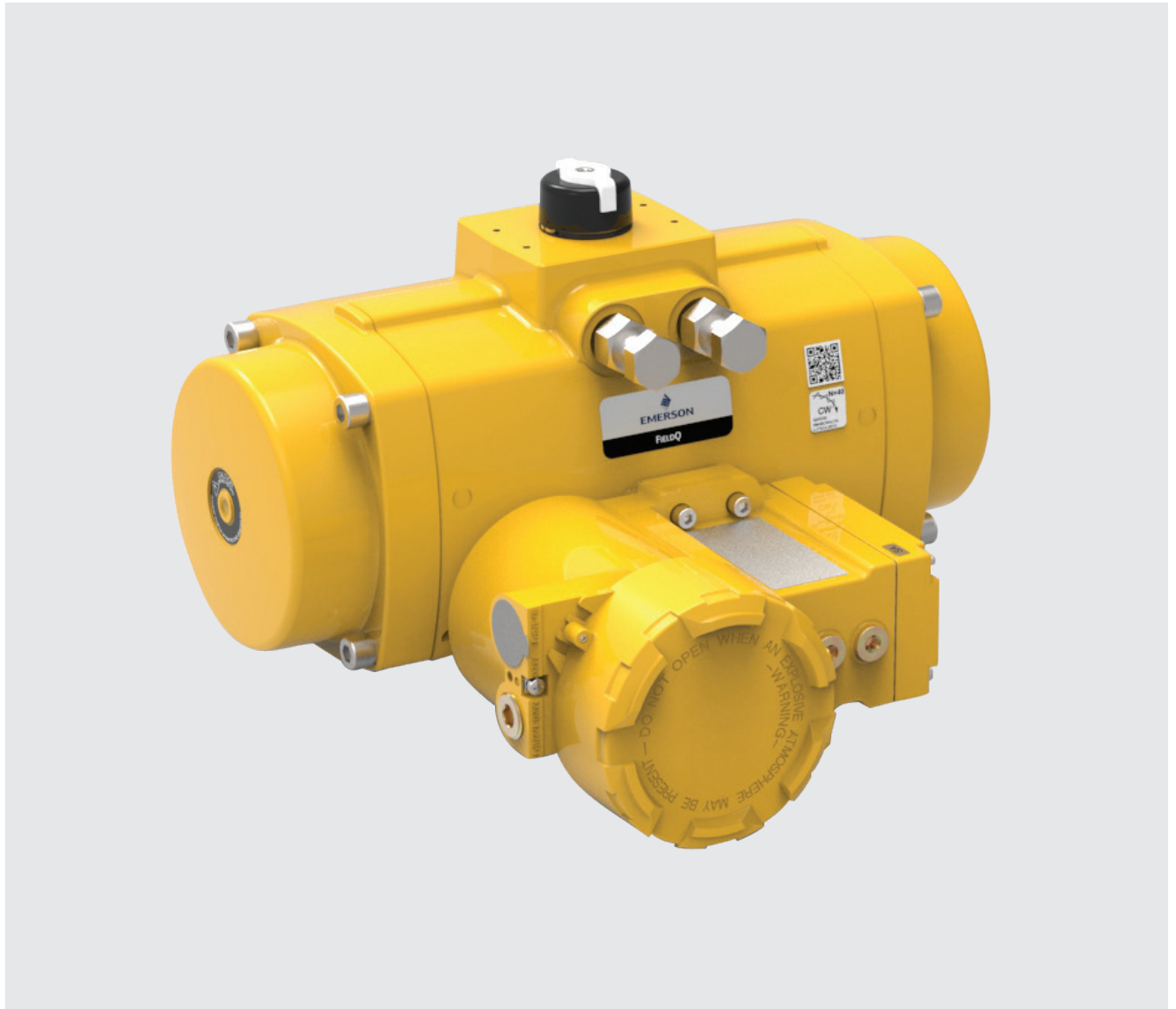


Table of Contents

Section 1: Before You Start

| | | |
|-----|--|---|
| 1.1 | Installation, Operation and Maintenance Reference Documents..... | 1 |
| 1.2 | Warehouse Storage..... | 2 |
| 1.3 | On-Site Storage..... | 2 |

Section 2: Introduction

| | | |
|-----|---------------------|---|
| 2.1 | Identification..... | 3 |
| 2.2 | Intended Use..... | 5 |
| 2.3 | Specifications..... | 5 |

Section 3: Configuration Code

Section 4: Installation

| | | |
|-------|--|----|
| 4.1 | Before You Start | 9 |
| 4.2 | Actuator Rotation Direction | 9 |
| 4.2.1 | Valve Rotation | 9 |
| 4.2.2 | Position After Failure | 10 |
| 4.3 | Principles of Operation..... | 11 |
| 4.3.1 | Solenoid Valve Operation / NAMUR Adaptation Plate..... | 11 |
| 4.3.2 | Ingress Protection (IP) Rating | 12 |
| 4.3.3 | Control Module Operation..... | 12 |
| 4.3.4 | Double-Acting Operation with Fail-In-Last Position Function | 14 |
| 4.3.5 | Spring-Return Actuators..... | 16 |
| 4.3.6 | Position Feedback | 18 |
| 4.4 | Actuator Assembly Codes | 19 |
| 4.5 | Actuator to Valve Installation | 21 |
| 4.6 | Mounting of Control Modules or Generic Control and Feedback Accessories..... | 24 |
| 4.7 | Recommended Tubing Sizes..... | 24 |

Section 5: Mechanical Stroke Adjustment

| | | |
|-------|------------------------------|----|
| 5.1 | Travel Stop Adjustment | 26 |
| 5.1.1 | Double-Acting Actuators..... | 26 |
| 5.1.2 | Spring-Return Actuators..... | 27 |
| 5.1.3 | Angular Displacement | 28 |

Section 6: Maintenance

| | | |
|-------|------------------------------|----|
| 6.1 | Normal Maintenance..... | 29 |
| 6.2 | Inspection and Repair..... | 30 |
| 6.2.1 | Service Kits..... | 30 |
| 6.2.2 | Spring-Return Actuator | 30 |

Section 7: Decommission (Out of Service)

| | | |
|-----|---|----|
| 7.1 | Before You Start | 31 |
| 7.2 | Removing the Actuator from the Valve..... | 32 |

Section 8: Disassembly

| | | |
|-----|---|----|
| 8.1 | Removing End Caps (Size 40 to 600)..... | 34 |
| 8.2 | Removing End Caps (Size 950 to 1600) | 36 |
| 8.3 | Removing Spring Cartridges or Springs | 37 |
| 8.4 | Removing of Limit Stop Screws | 38 |
| 8.5 | Removing Pistons..... | 38 |
| 8.6 | Removing Pinion | 39 |
| 8.7 | Cleaning the Components | 40 |

Section 9: Reassembly

| | | |
|-------|--|----|
| 9.1 | Grease Instructions | 42 |
| 9.2 | Reassembly of the Pinion..... | 43 |
| 9.3 | Reassembly of the Pistons | 44 |
| 9.4 | Reassembly and Settings of the Limit Stops | 46 |
| 9.5 | Reassembly of the End Caps | 47 |
| 9.5.1 | Double-Acting Actuators..... | 47 |
| 9.5.2 | Spring-Return Actuators (Size 40 to 600)..... | 48 |
| 9.5.3 | Spring-Return Actuators (Size 950 to 1600)..... | 50 |
| 9.6 | Basic Function and Air Leak Test | 52 |

Section 10: Troubleshooting

| | | |
|------|---------------------------|----|
| 10.1 | Mechanical Problems | 53 |
| 10.2 | Pneumatic Problems | 54 |
| 10.3 | Electrical Problems..... | 55 |

Section 11: Parts List and Spare Parts Recommendations

| | | |
|------|----------------------------------|----|
| 11.1 | Actuator Size Q40 to Q600..... | 56 |
| 11.2 | Actuator Size Q950 to Q1600..... | 57 |

Appendix A: Spring Load Removal

| | | |
|-----|-------------------------|----|
| A.1 | Spring Load Relief..... | 58 |
|-----|-------------------------|----|

Appendix B: Tool & Torque Table

Appendix C: Full Stroke Adjustment Option

| | | |
|--------|---|----|
| C.1 | Full Stroke Adjustment Option | 62 |
| C.2 | Convert a Standard Actuator into a Full Stroke Adjustment Version | 63 |
| 11.2.1 | Procedure | 64 |
| C.3 | Full Stroke Adjustment Setting | 65 |
| 11.2.2 | Factory Setting Procedure | 65 |
| 11.2.3 | Setting the Full Stroke Adjustment Screw to the Required Angle..... | 66 |

Section 1: Before You Start

This section explains:

- Base safety procedures.
- Where to find detailed information relating safety.
- Storage guidelines.

Installation, adjustment, putting into service, use, assembly, disassembly and maintenance of the pneumatic actuator must be performed by qualified personnel.

NOTICE

Failure to follow the above guidelines will void warranty.

⚠ WARNING

Actuator must be isolated both pneumatically and electrically before any (dis)assembly starts. Before mounting or (dis)assembly, the actuator consult the relevant sections of this manual.

1.1 Installation, Operation and Maintenance Reference Documents

Before you start, read the following documents:

- All Sections in this manual.
- Safety Guide (Document No. DOC.SG.FQ.EN).

Mounted Control modules are shipped with the applicable installation guide:

QC41, QC42 or QC43: Document DOC.IG.QC41.1.

QC40: Document DOC.IG.QC40.1.

QC54: Document DOC.IG.QC54.1.

For Safety Instrumented Systems application, read the following document:

- SIL Safety Manual FieldQ (Document No. DOC.SILM.FQ.EN).

NOTICE

Failure to read the Safety Guide will void the warranty.

Not following the instructions of the Safety Guide can lead to failure of the product and harm to personnel or equipment.

1.2 Warehouse Storage

- All actuators should be stored in a clean, dry warehouse, free from excessive vibration and rapid temperature changes.
- All actuators should not be stored directly to the floor surface - it must be placed in racks/shelves or use a pallet.

1.3 On-Site Storage

- All actuators should be stored in a clean, dry warehouse, free from excessive vibration and rapid temperature changes.
- Prevent moisture or dirt from entering the actuator. Plug or seal both air connection ports.

NOTICE

Failure to follow the above guidelines (Warehouse and On Site Storages) will void warranty.

Section 2: Introduction

This section explains:

- How to identify the received product.
- The intended use of the product.
- Construction details.
- Actuator specifications.

2.1 Identification

The FieldQ Rack and Pinion actuators are available as double-acting or spring-return versions. 13 models are available, ranging from 40 Nm to 1600 Nm (354 to 14161 lbf.in) nominal torque output.

The FieldQ package consists of an actuator with a module for control and position feed back and forms an integrated concept for “On/Off” valve automation.

1. Basic Actuators

The basic actuator supplies the torque, required to open and close valves and is available in various sizes (rated 47 to 1676Nm at 5.5barg or 413 to 14874 In.lb. at 80psig).

Double acting and spring return executions are available. The spring return execution can be equipped with multiple spring sets to cover a pressure range from 2 to 8 barg (30 to 120 psig).

The springs in the spring-return version allow a fail action in case of loss of air supply pressure (Fail-to-Close or Fail-to-Open). As from size FD150 double-acting versions have flat end caps to reduce actuator length and internal air volume.

The springs in the spring-return version allow a fail action in case of loss of air supply pressure (Fail-to-Close or Fail-to-Open).

As from size 150 double-acting versions have flat end caps to reduce actuator length and internal air volume.

2. Control Modules

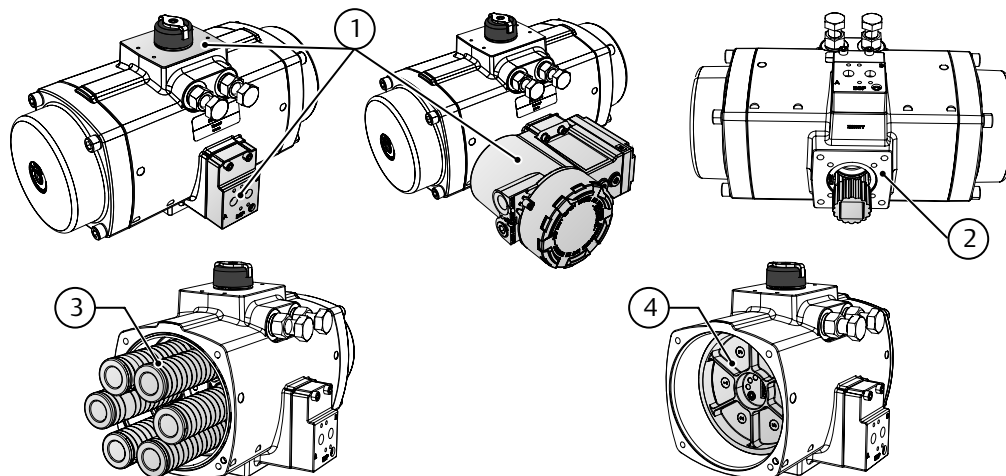
The Control Modules contain, next to the components for feedback switches, also all the pneumatic control components.





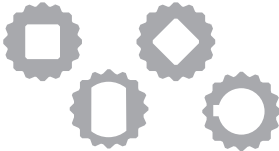




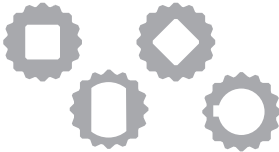
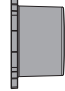




Its compact and robust construction incorporates basic control and feedback functionality and is suitable for indoor and outdoor use.

3. NAMUR Adaptation Plate

The top flange of the FieldQ actuator is equipped with a NAMUR (VDE/VDI 3845) drilling pattern. The addition of a NAMUR plate makes the FieldQ actuator suitable for mounting all kinds of NAMUR compatible control accessories like solenoids. For more info on NAMUR plate, see sheet 1.605.03.

Figure 1 Identification



| Size | End cap design ⁵ | Spring design ⁶ | Pinion bottom / Insert design ² |
|------------|---|--|---|
| 40 - 100 | <p>SR DA</p>   | <p>Left Right</p>   <p>Maximum 12 spring cartridges</p> |  |
| 150 - 600 | <p>SR DA</p>   | <p>Left Right</p>   <p>Maximum 12 spring cartridges</p> |  |
| 950 - 1600 | <p>SR DA</p>   | <p>Left Right</p>   <p>Maximum 6 loose springs</p> |  |

Notes:

1. Top auxiliaries according (VDI/VDE 3845; NAMUR). FieldQ comes with a proprietary pneumatic interface for direct mounting of the Control modules. Option: NAMUR adaptation plate for direct mounting of solenoids.
2. Valve interface available according ISO5211 or DIN 3337. Actuator sizes 40 to 1600 can be fitted with drive inserts with various inner shapes.
3. Spring-Return actuators: - with springs
4. Double-Acting actuators: - no springs
5. Actuator sizes 40 to 100 have high end caps for double-acting and spring-return models. Actuator sizes 150 to 1600 have low end caps for double-acting models and high end caps for spring-return models.
6. Actuator sizes 40 to 600 are fitted with a maximum of 12 spring cartridges. Actuator sizes 950 and 1600 are fitted with a maximum of 6 loose springs.

2.2 Intended Use

The FieldQ Rack and Pinion actuators are intended for the automation and operation of quarter-turn valves like Butterfly, Ball and Plug valves.

Rack and Pinion actuators can also be used to operate dampers or any other quarter-turn applications.

2.3 Specifications

Table 1. Pressure Range

| Actuator Type | Pressure |
|---------------|---|
| Double-Acting | 0.2 to 8.3 barg (2.9 to 120 psig) |
| Spring-Return | 6 to 8.3 barg (87 to 120 psig), with maximum spring set |
| | 3 to 8.3 barg (43.5 to 120 psig), reduced spring quantity |

Table 2. Operating Media

| Actuator Type | Operating Media |
|---------------------------------|--|
| Double-Acting and Single-Acting | Air, dry or lubricated and inert gases |
| | Dew point at least 10K below ambient temperature |
| | For sub-zero applications, take appropriate measures |
| | Mentioned pressure levels are "gauge pressures". Gauge pressure is equal to absolute pressure minus atmospheric pressure. |

- For the base actuator the recommended air quality for normal operation (according ISO 8573-1) is: 7-5-4.
- In case Q-Series Control Modules are used, the operating media specification as mentioned in the Installation Guide (shipped with each control module) are applicable.
 QC41, QC42 or QC43: Document DOC.IG.QC41.1.
 QC40: Document DOC.IG.QC40.1.
 QC54: Document DOC.IG.QC54.1.

NOTE:

Use of filters, pressure regulators, lubricator and an oil/water separator mounted in the air supply line, will allow a smooth and durable operation of the actuator.

For lubricated supply air, it is recommended to use a non-detergent oil without aggressive additives, VG32, group 2 (ISO 3448).

Table 3. Temperature Range

| Actuator Type | Temperature |
|--------------------------|-----------------------------------|
| Standard | -20°C to +80°C (-4°F to +176°F) |
| Option: Low Temperature | -40°C to +80°C (-40°F to +176°F) |
| Option: High Temperature | -10°C to +120°C (+14°F to +250°F) |

- In case Q-Series Control Modules are used, the temperature range as mentioned in the Installation Guide (shipped with each control module) are applicable.
 QC41, QC42 or QC43: Document DOC.IG.QC41.1.
 QC40: Document DOC.IG.QC40.1.
 QC54: Document DOC.IG.QC54.1.

Table 4. Air Volumes and Consumption

| Actuator volumes: | | | |
|-------------------|------------------------------|------------------------------|-------------------------------|
| Actuator model | Maximum volume (in liters) | | |
| | Central ¹ chamber | End cap ² chamber | Displaced ³ volume |
| Q 0040 | 0.26 | 0.37 | 0.15 |
| Q 0065 | 0.40 | 0.56 | 0.22 |
| Q 0100 | 0.6 | 0.9 | 0.3 |
| Q 0150 | 1.0 | 0.8 | 0.5 |
| Q 0200 | 1.3 | 1.0 | 0.7 |
| Q 0350 | 2.1 | 1.9 | 1.2 |
| Q 0600 | 3.6 | 3.3 | 2.1 |
| Q 0950 | 4.9 | 4.6 | 3.2 |
| Q 1600 | 7.9 | 7.3 | 5.4 |

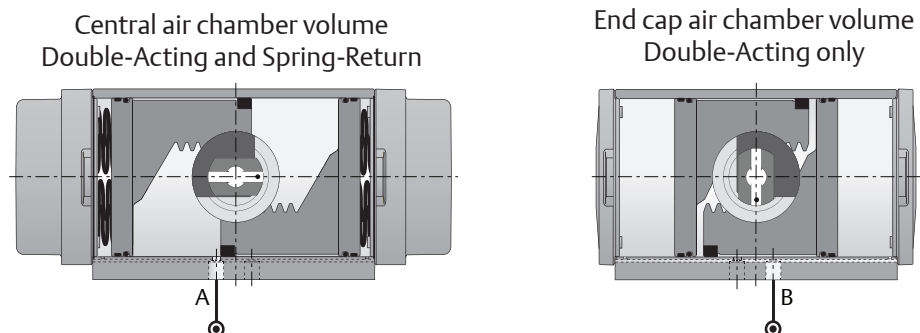
| Consumption per stroke (in liters, pressure in barg) | | | | | |
|---|----------|----------|--------------------|----------|----------|
| Outward Stroke | | | Inward Stroke | | |
| Double-Acting and Spring-Return | | | Double-Acting only | | |
| 2.0 barg | 4.0 barg | 8.0 barg | 2.0 barg | 4.0 barg | 8.0 barg |
| 0.67 | 1.2 | 2.2 | 0.89 | 1.6 | 3.1 |
| 1.02 | 1.8 | 3.4 | 1.3 | 2.4 | 4.7 |
| 1.5 | 2.7 | 5.0 | 2.0 | 3.8 | 7.2 |
| 2.4 | 4.3 | 8.1 | 2.1 | 3.6 | 6.7 |
| 3.2 | 5.7 | 11 | 2.8 | 4.9 | 9.1 |
| 5.5 | 9.8 | 18 | 5.0 | 8.8 | 16 |
| 9.4 | 17 | 31 | 8.7 | 15 | 28 |
| 13 | 23 | 43 | 12 | 22 | 40 |
| 21 | 37 | 69 | 20 | 35 | 64 |

| Actuator volumes: | | | |
|-------------------|------------------------------|------------------------------|-------------------------------|
| Actuator model | Maximum volume (Cu.in.) | | |
| | Central ¹ chamber | End cap ² chamber | Displaced ³ volume |
| Q 0040 | 15.9 | 23 | 8.9 |
| Q 0065 | 24 | 34 | 13.5 |
| Q 0100 | 36 | 53 | 19.9 |
| Q 0150 | 58 | 47 | 32 |
| Q 0200 | 76 | 64 | 44 |
| Q 0350 | 131 | 115 | 76 |
| Q 0600 | 222 | 201 | 129 |
| Q 0950 | 301 | 279 | 196 |
| Q 1600 | 484 | 447 | 328 |

| Consumption per stroke (in Cu.in., pressure in psig) | | | | | |
|---|---------|----------|--------------------|---------|----------|
| Outward Stroke | | | Inward Stroke | | |
| Double-Acting and Spring-Return | | | Double-Acting only | | |
| 40 psig | 80 psig | 120 psig | 40 psig | 80 psig | 120 psig |
| 53 | 96 | 140 | 71 | 133 | 196 |
| 81 | 148 | 215 | 107 | 200 | 294 |
| 118 | 216 | 314 | 165 | 310 | 455 |
| 192 | 352 | 512 | 163 | 293 | 424 |
| 255 | 466 | 676 | 220 | 397 | 573 |
| 436 | 796 | 1157 | 392 | 709 | 1025 |
| 742 | 1354 | 1967 | 683 | 1237 | 1790 |
| 1025 | 1854 | 2682 | 966 | 1735 | 2505 |
| 1662 | 2997 | 4331 | 1560 | 2792 | 4024 |

- Notes:
 1. Pistons at 90° outward position.
 2. Pistons at 0° inward position.
 3. Stroke is 90°.

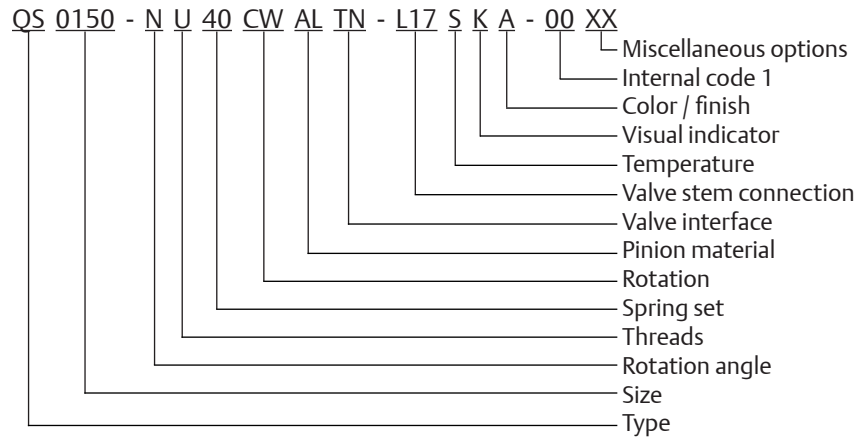
Figure 2 Actuator Air Volumes



Section 3: Configuration Code

This section explains:

- How to create or read the configuration code for an actuator.



| Type | | | |
|-------------------------|---|------|---------------|
| FD | Double Acting | | |
| FS | Spring Return | | |
| Size | | | |
| 0040 | Size 0040 | 0350 | Size 0350 |
| 0065 | Size 0065 | 0600 | Size 0600 |
| 0100 | Size 0100 | 0950 | Size 0950 |
| 0150 | Size 0150 | 1600 | Size 1600 |
| 0200 | Size 0200 | | |
| Rotation Angle | | | |
| N | 90° rotation angle | | |
| Threads | | | |
| M | Metric ISO 5211 | | |
| U | UNC/NPT/Imperial | | |
| Spring Set | | | |
| 00 | Double Acting (no springs) | | |
| 10 | Spring Set 10 | 40 | Spring Set 40 |
| 20 | Spring Set 20 | 50 | Spring Set 50 |
| 30 | Spring Set 30 | 60 | Spring Set 60 |
| Rotation Direction | | | |
| CW | Spring to Close/Clock Wise | | |
| CC | Spring to Open/Counter Clock Wise | | |
| Pinion Material | | | |
| AL | High Grade Aluminium, Hard anodized | | |
| Valve Interface, Note 2 | | | |
| TN | Standard ISO 5211 interface | | |
| SY | Small interface with center plate (DIN3337) | | |
| LY | Large interface with center plate (DIN3337) | | |

| Valve Stem Connection, Note 3 | | | |
|-------------------------------|---|----------------|----------------|
| Actuator Size | Square Dimensions | Parallel Drive | Diagonal Drive |
| No insert | | 000 | |
| 0040 & 0065 | 14mm / 0.551" | L14 | D14 |
| 0100 | 17mm / 0.669" | L19 | D17 |
| | 19mm / 0.748" | | |
| 0150 | 17mm / 0.669" | L19 | D17 |
| | 19mm / 0.748" | | |
| 0200 | 22mm / 0.866" | L22 | D22 |
| | 27mm / 1.063" | | |
| 0350 | 22mm / 0.866" | L27 | D22 |
| | 27mm / 1.063" | | |
| 0600 | 27mm / 1.063" | L22 | D22 |
| 0350 | 22mm / 0.866" | L27 | D22 |
| | 27mm / 1.063" | | |
| 0600 | 27mm / 1.063" | L27 | D27 |
| 0950 | 36mm / 1.417" | L36 | D36 |
| 1600 | 46mm / 1.811" | L46 | D46 |
| Temperature Range | | | |
| S | Standard: -20°C to +80°C (-4°F to +176°F) | | |
| H | High: -20°C to +120°C (-4°F to +248°F) | | |
| L | Low: -40°C to +80°C (-40°F to +176°F) | | |
| Visual Indication Code | | | |
| K | Standard (Knob) | | |
| N | No Visual Indication | | |
| Finish | | | |
| A | Standard coating (FieldQ Yellow) | | |
| Internal Code 1 | | | |
| 00 | Standard | | |
| Miscellaneous Options | | | |
| XX | Standard: Suitable for Control module mounting | | |
| N1 | NAMUR adaptor plate | | |
| H1 | NAMUR adaptor plate + 1/2" High Flow plate | | |
| FS | Full stroke adjustment (only sizes 40 to 600) | | |
| NF | NAMUR adaptor plate + Full stroke adjustment option | | |

Notes:
 See next page.

Notes:

1. The options, listed here, are all options available. Not all options apply to all configurations. Check the actuator size page for valid configurations.
2. Valve Interface:
 - Option "S"; Small Interface with Center Plate (DIN3337) is not available for sizes 0950.
 - Option "L"; Large Interface with Center Plate (DIN3337) is not available for sizes 1600.
3. Contact your local FieldQ representative for additional insert options.
4. PED Group 1 Label only available up to size 950.

Section 4: Installation

This section explains:

- The actuator rotation direction.
- In which position the actuator will end after a failure.
- Principles of operation:
 - Solenoid operation.
 - Double acting and Spring return operation.
- Assembly codes.
- Actuator to valve assembly.

4.1 Before You Start

SAFETY

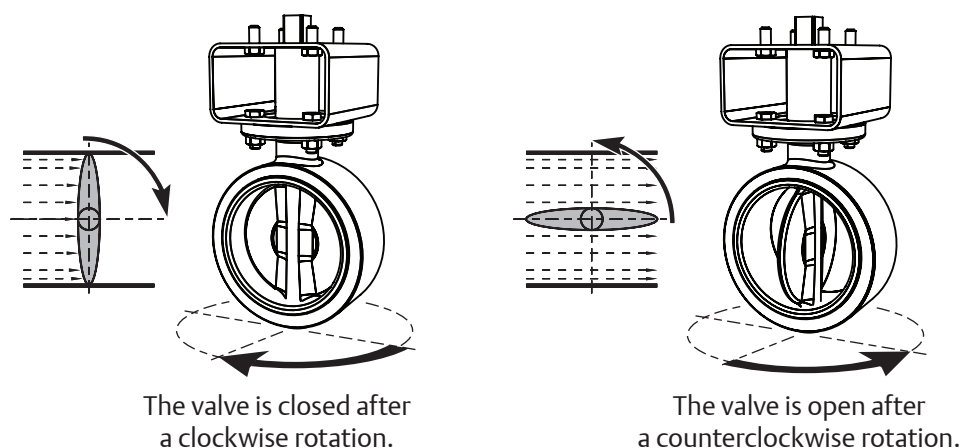
In case of an air or electrical failure, it is important to know the behavior of the actuator. Before mounting the actuator on a valve, consult the following sections below.

4.2 Actuator Rotation Direction

4.2.1 Valve Rotation

For the following paragraphs we assume that valves rotate as indicated in Figure 3.

Figure 3 Normal valve rotation



4.2.2 Position After Failure

The position of the actuator after a failure depends on the:

1. Principle of operation (see paragraph 4.3)
2. Assembly codes (see paragraph 4.4)
3. Kind of failure. Refer to the table below.

Table 5. Position After Failure







| Principle of Operation | Assembly Code | Kind of Failure | Position |
|---|--|-----------------|-------------|
| Double-Acting Actuator |  | Pressure | Not defined |
| | | Signal | Closed |
| | | Supply Voltage | Closed |
| |  | Pressure | Not defined |
| | | Signal | Open |
| | | Supply Voltage | Open |
| Single-Acting (Spring-Return) Actuator |  | Pressure | Closed |
| | | Signal | Closed |
| | | Supply Voltage | Closed |
| |  | Pressure | Open |
| | | Signal | Open |
| | | Supply Voltage | Open |

Table 6. Position after a failure with a Double-Acting module with Fail-In-Last-Position Function

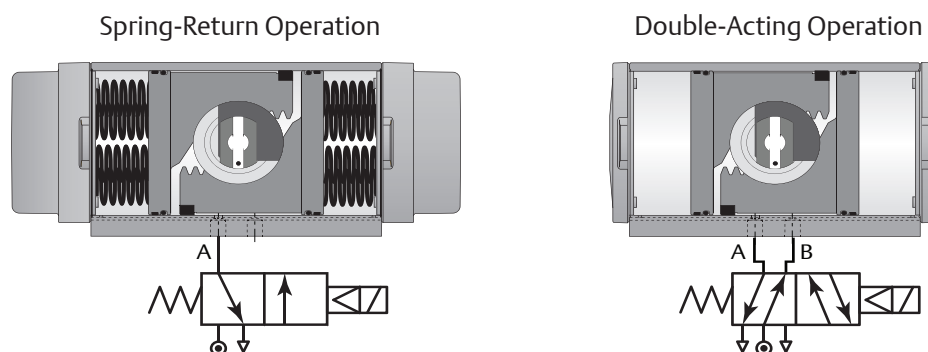
| Principle of Operation | Assembly Code | Kind of Failure | Position |
|-------------------------------|---|-----------------|-------------|
| Double-Acting Actuator |  | Pressure | Not defined |
| | | Signal | Not defined |
| | | Supply Voltage | Closed |
| |  | Pressure | Not defined |
| | | Signal | Not defined |
| | | Supply Voltage | Open |

4.3 Principles of Operation

4.3.1 Solenoid Valve Operation / NAMUR Adaptation Plate

FieldQ actuators can be either piped with solid or flexible tubing with the solenoid valve mounted remotely from the actuator or by mounting a VDI/VDE 3845 (NAMUR) designed solenoid valve DIRECTLY onto the NAMUR adaptation plate on the side of the actuator.

Figure 4 Typical Solenoid Operation



The table below represents the cycle time (operating time) per different Actuator sizes:

Table 7. Operating Speed

| Actuator size | Cycle time in seconds | | | |
|---------------|-----------------------|---------------|--------------------|--------------------|
| | Spring-Return | | Double-Acting | |
| | A-port pressurized | Spring stroke | A-port pressurized | B-port pressurized |
| Q 40 | 0.6 | 0.5 | 0.6 | 0.5 |
| Q 65 | 0.7 | 0.5 | 0.6 | 0.6 |
| Q 100 | 0.8 | 0.6 | 0.8 | 0.7 |
| Q 150 | 1.0 | 0.8 | 0.9 | 0.8 |
| Q 200 | 1.3 | 0.9 | 1.0 | 1.0 |
| Q 350 | 1.9 | 1.3 | 1.4 | 1.5 |
| Q 600 | 3.2 | 1.9 | 2.2 | 2.2 |
| Q 950 | 6.6 | 2.2 | 2.4 | 2.0 |
| Q 1600 | 10.6 | 3.5 | 3.6 | 3.3 |

Operating time is average with actuator under load and solenoid valve fitted.

Test conditions:

- | | |
|---------------------------------|------------------------|
| 1. Solenoid with flow capacity: | 0.6 m ³ /hr |
| 2. Pipe diameter: | 6mm |
| 3. Medium: | clean air |
| 4. Supply pressure: | 5.5 bar (80psi) |
| 5. Load: | with average load |
| 6. Stroke: | 90° |
| 7. Temperature: | Room temperature |

4.3.2 Ingress Protection (IP) Rating

FieldQ actuators are IP66 / NEMA4 rated. In case of IP66 or NEMA4 requirements, take precautions that comply with the IP66 / NEMA4 requirements to prevent moisture or dust from entering the actuator through the open air exhaust port(s), either directly on the actuator or at the exhaust ports of the connected solenoid valve.

We recommend to connect tubing to the exhaust(s) and lead this into a dry and dust free area, or to use check valves in the exhaust.

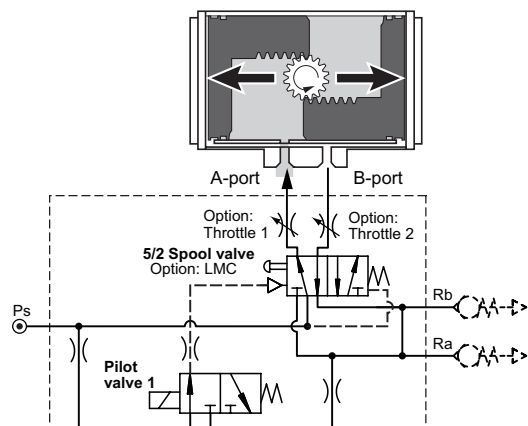
4.3.3 Control Module Operation

The operating principle, as explained here, is applicable for actuators with assembly code CW (direct acting).

- The outward stroke will move the valve to the “Open” position.
- The inward stroke will move the valve to the “Closed” position.
- For assembly codes CC, the operating principle is reversed (reverse acting):

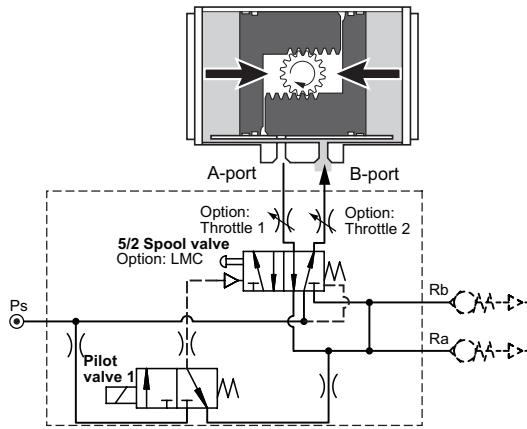
Figure 5 Double-Acting Operation

Outward Stroke



1. Send control signal “Open” to the Control Module.
2. Pilot valve 1 will be activated and the 5/2spool valve will pressurize the central air chamber.
3. The piston will move outwards to the “Open” position.
4. The Control Module indicates the “Open” position and activates feedback signal “Open”.

**Figure 6 Double-Acting Operation
Inward Stroke**



1. Send control signal “Close” to the Control Module.
2. Pilot valve 1 will be deactivated and the 5/2 spool valve will pressurize the end cap air chambers.
3. The piston will move inwards to the “Closed” position.
4. The Control Module indicates the “Closed” position and activates feedback signal “Closed”.

Optional Controls:

- LMC Local Manual Control
- SC Speed Control throttles

Important

In case of an electric control signal failure, the actuator will move to its "Closed" position.

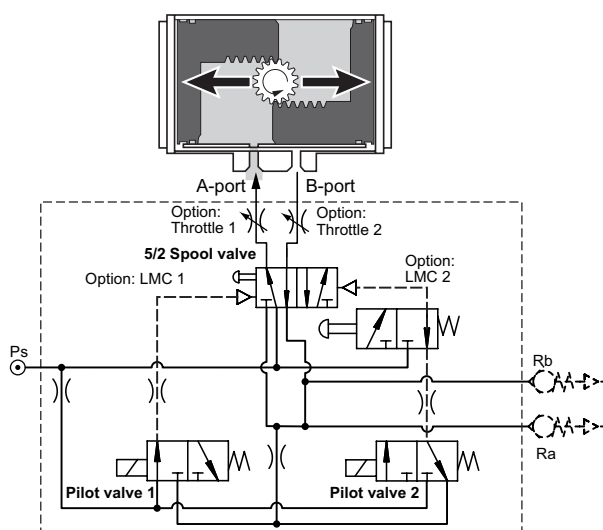
4.3.4 Double-Acting Operation with Fail-In-Last Position Function

The operating principle, as explained here, is applicable for actuators with assembly code CW (direct acting).

- The outward stroke will move the valve to the “Open” position.
- The inward stroke will move the valve to the “Closed” position.
- For assembly codes CC the operating principle is reversed (reverse acting):

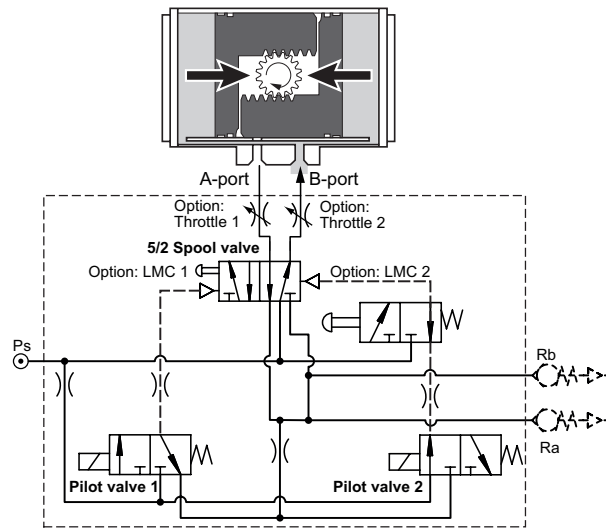
Figure 7 Double-Acting Operation with Fail-In-Last Position Function

Outward Stroke



1. Send control signal “Open” to the Control Module to activate Pilot valve 1 and de-activate Pilot valve 2.
2. The 5/2 spool valve will pressurize the central air chamber.
3. The piston will move outwards to the “Open” position.
4. The Control Module indicates the “Open” position and activates feedback signal “Open”.

**Figure 8 Double-Acting Operation with Fail-In-Last Position Function
Inward Stroke**



1. Send control signal “Close” to the Control Module to activate Pilot valve 2 and de-activate Pilot valve 1.
2. The 5/2 spool valve will pressurize the end cap air chambers.
3. The piston will move inwards to the “Closed” position.
4. The Control Module indicates the “Closed” position and activates feedback signal “Closed”.

Optional Controls:

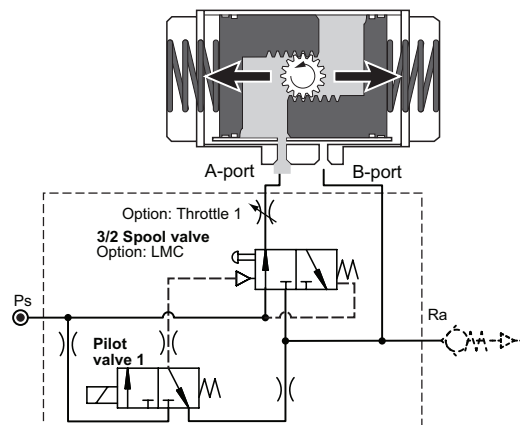
LMC Local Manual Control
SC Speed Control throttles

4.3.5 Spring-Return Actuators

The operating principle, as explained here, is applicable for actuators with assembly code CW (direct acting).

- Applying supply pressure to port A will move the pistons outwards to the "Open" position of the valve.
- Venting the supply pressure from port A will cause the springs to move the pistons inwards to the "Close" position of the valve.
- For assembly codes CC, the operating principle is reversed (reverse acting):

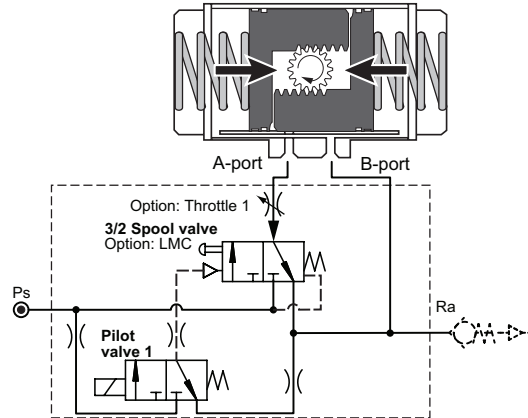
Figure 9 Single-Acting Operation
Outward Stroke



1. Send control signal "Open" to the Control Module.
2. Pilot valve 1 will be activated and the 3/2 spool valve will pressurize the central air chamber.
3. The piston will move outwards to the "Open" position.
4. The Control Module indicates the "Open" position and activates feedback signal "Open".

Figure 10 Single-Acting Operation

Inward Stroke



1. Send control signal “Close” to the Control Module.
2. Pilot valve 1 will be deactivated and the 3/2 spool valve will vent the central air chamber
3. The springs will move the pistons inwards to the “Closed” position.
4. The Control Module indicates the “Closed” position and activates feedback signal “Closed”.

Optional Controls:

- LMC Local Manual Control
- SC Speed Control throttles

4.3.6 Position Feedback

The FieldQ Series actuator (1) has a patented, contact-less position sensing system. This system consists of a position probe (2) which rides on a special curve (4) in the pinion bottom.

The curve is shaped in such a way that the position probe moves linearly and proportionally to the rotation of the actuator pinion.

The linear movement of the position probe is used, inside the control module (3) to operate the limit switches.

⚠ CAUTION

Do not put the Control module in direct contact with magnetic material. This can cause damage or malfunction of the position feedback.

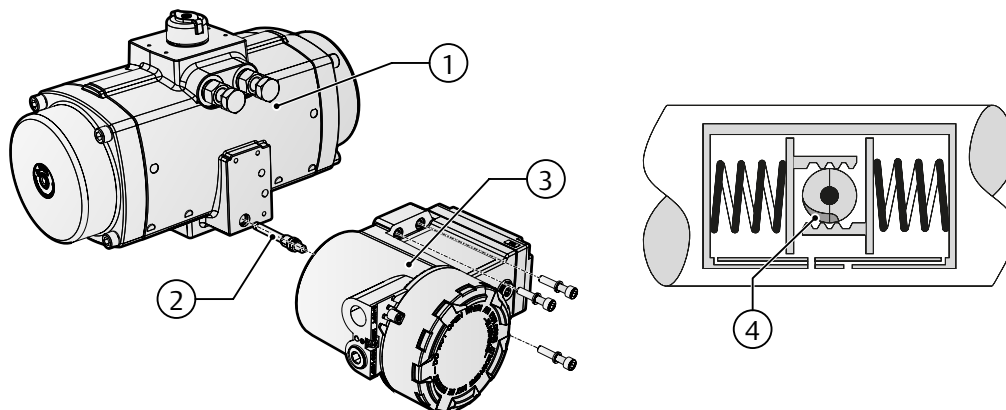
Installation of the FieldQ Series Control Modules

Please refer to the Installation guides, as shipped with the product, for installation instructions of the Control Module.

Installation Guides - Control modules

Each Control Module is shipped with an Installation Guide, which contains more information on the pneumatic and electrical installation and operation of the Module. Additionally, these Installation Guides can be downloaded from: www.emerson.com/fieldq

Figure 11



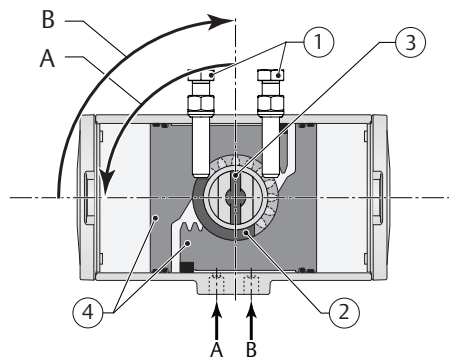
4.4 Actuator Assembly Codes

Figure 12 Assembly Code - Double-Acting

Assembly Code: CW

= Standard, Clockwise-to-Close rotation
 = Fail-to-Close

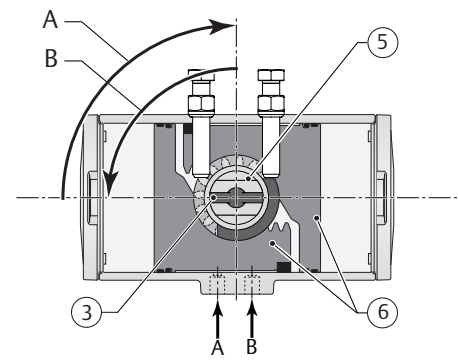
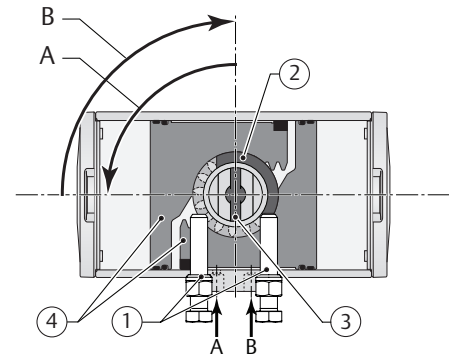
Sizes Q40 and Q65



Assembly Code: CC

= Reverse, Counterclockwise-to-Open
 = Fail-to-Open

Sizes Q100 to Q1600



Rotation A = Central air chamber pressurized

Rotation B = End cap air chambers pressurized

1. Limit stops location
2. Position of cam
3. Position of slot and dot in pinion
4. Default pistons position
5. Pinion 90° Rotated
6. Reversed piston position

All views are from above. Pistons are shown in inward position.

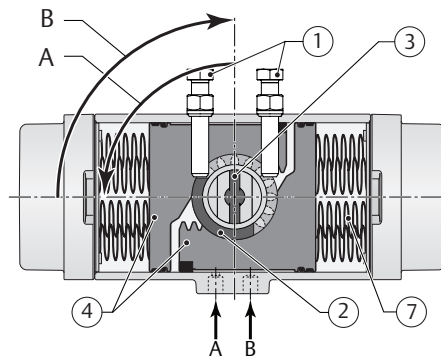
Figure 13 Assembly Code - Spring-Return

Assembly Code: CW

= Standard, Clockwise-to-Close rotation

= Fail-to-Close

Sizes Q40 and Q65

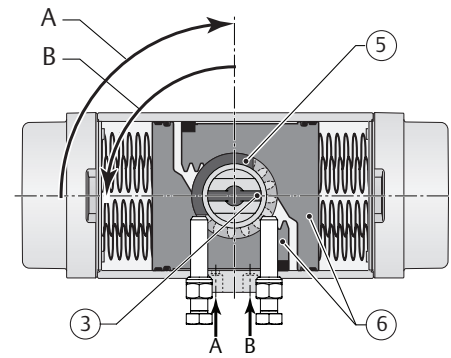
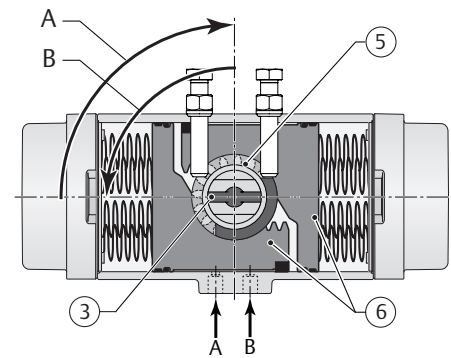
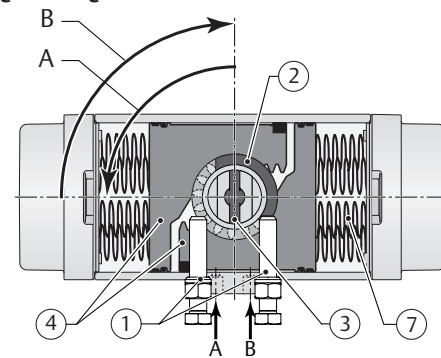


Assembly Code: CC

= Reverse, Counterclockwise-to-Open

= Fail-to-Open

Sizes Q100 to Q1600



Rotation A = Central air chamber pressurized

Rotation B = Spring stroke

1. Limit stops location
2. Position of cam
3. Position of slot and dot in pinion
4. Default pistons position
5. Pinion 90° Rotated
6. Reversed piston position
7. Springs

All views are from above. Pistons are shown in inward position.

4.5 Actuator to Valve Installation

⚠ WARNING: MOVING PARTS

Actuator must be isolated pneumatically and electrically before any (dis)assembly starts. Stay away from moving parts to prevent serious injuries. When test cycling the actuator and valve assembly by applying pressure to the actuator, be aware that there are moving parts like pinion top, actuator to valve coupling and the valve- blade, ball, plug, etc.

NOTICE

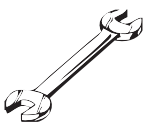


The actuator is designed to be installed, commissioned and maintained using generic tools like wrenches, Allen keys and screwdrivers. For the removal of inserts, a special extractor tool can be supplied on request.

During assembly to the valve, do not hit with hammer on pinion top. This can damage the pinion top washer and cause premature failure.

Before mounting the actuator on the valve or valve bracket, be sure that both the actuator and the valve are in the same closed or open position.

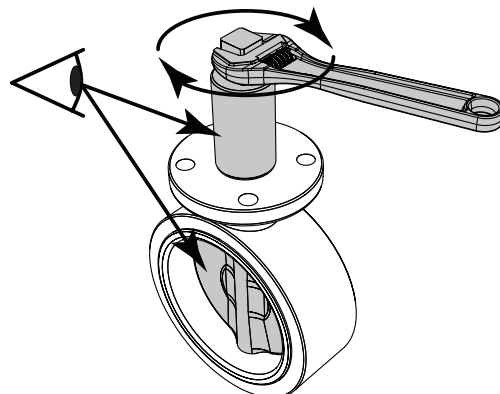
Refer to appendix B, Tool and Torque tables, for using the right size tool and torque.

Table 8. Tool Table

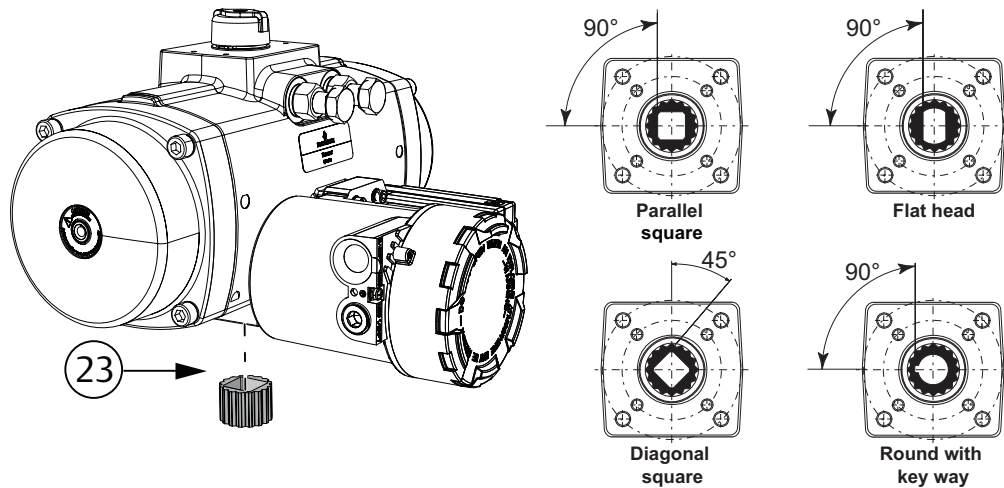
| Symbol | Tool | Symbol | Tool |
|---|---|--|-----------|
|  | Wrench – All types and sizes. Metric and Imperial |  | Allen key |
|  | Circlip Pliers | | |

1. Remove handle nut, handle, lock washer, and etc. from the valve if required.
2. Visually check to make sure the valve is CLOSED.

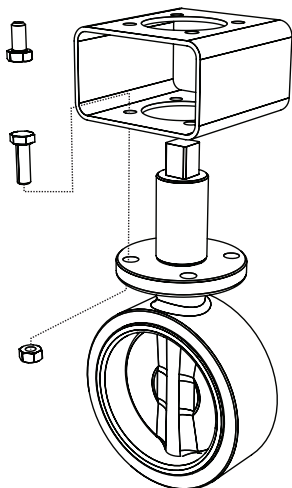
Figure 14 Valve Handle Removal



- When required, check if the insert drive (23) is mounted. If not, use a plastic mallet and tap slightly until the insert is in the required position. Be sure that the insert is mounted at 90° or 45° . It is possible to mount the insert turned 22.5° . This way the valve will not open or close the right way.

Figure 15 Insert Drive Installation

- Install the bracket to the valve flange. Tighten all bolts and nuts and apply the correct torque.

Figure 16 Bracket Installation

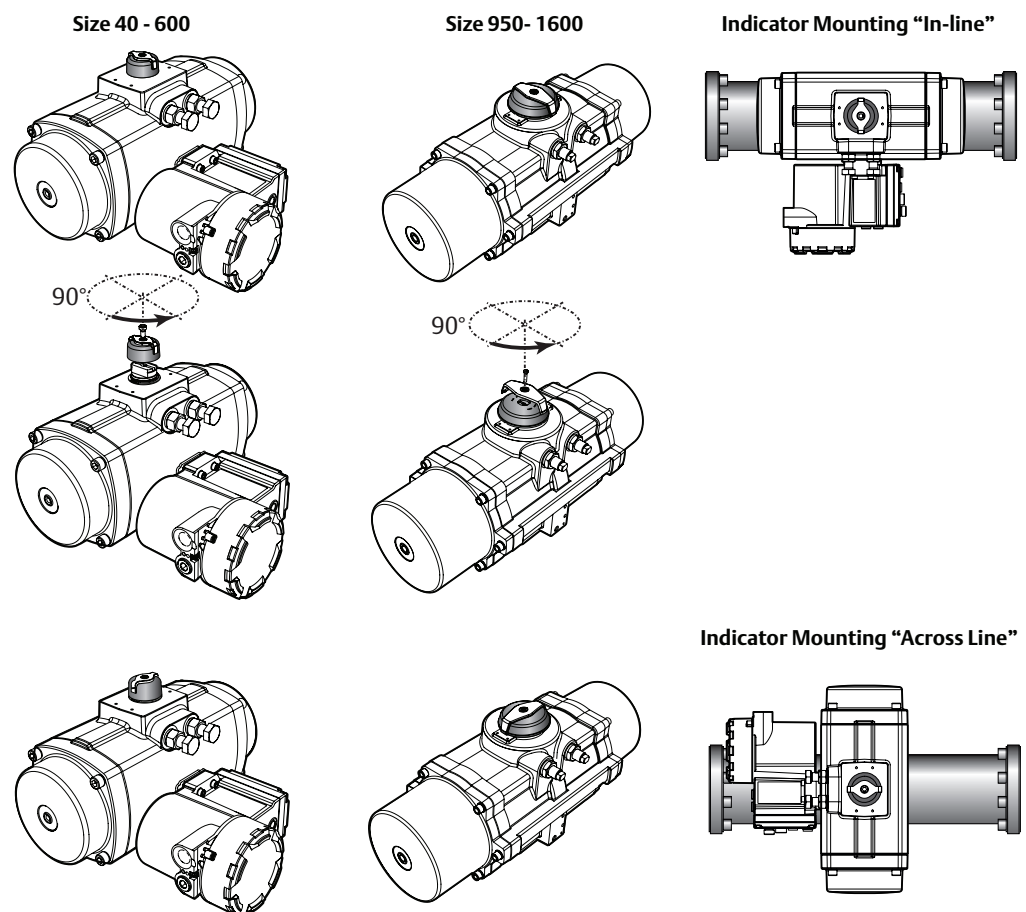
- Install the actuator to the bracket. Tighten all bolts and apply the correct torque (Refer to Table 9).

Table 9. Bottom Flange Torque Values

| Actuator Size | ISO Pattern | Torque (Nm) | | | Torque (lbf.ft) | | |
|---------------|--------------------|-------------|-------|-------|-----------------|-------|-------|
| | | Thread | Min. | Max. | Thread | Min. | Max. |
| 40, 65, 100 | F05 inner pattern | M6 | 4.5 | 5.0 | 1/4"-20 | 3.3 | 3.7 |
| | F07 outer pattern | M8 | 10.5 | 12.5 | 5/16"-18 | 7.7 | 9.2 |
| 150, 200, 350 | F07 inner pattern | M8 | 10.5 | 12.5 | 5/16"-18 | 7.7 | 9.2 |
| | F10 outer pattern | M10 | 21.0 | 24.5 | 3/8"-16 | 15.5 | 18.1 |
| 600 | F10 inner pattern | M10 | 21.0 | 24.5 | 3/8"-16 | 15.5 | 18.1 |
| | F12 outer pattern | M12 | 34.5 | 43.0 | 1/2"-13 | 25.4 | 31.7 |
| 950 | F10 inner pattern | M10 | 21.0 | 24.5 | 3/8"-16 | 15.5 | 18.1 |
| | F14 outer pattern | M16 | 90.0 | 104.0 | 5/8"-11 | 66.4 | 76.7 |
| 1600 | F16 inner pattern | M20 | 170.0 | 204.0 | 3/4"-10 | 125.4 | 150.5 |
| | F25* outer pattern | 4x M16 | 90.0 | 104.0 | 4x 5/8"-11 | 66.4 | 76.7 |

- When required, mount or adjust the visual indicator (26).

Figure 17 Indicator Mounting



4.6 Mounting of Control Modules or Generic Control and Feedback Accessories

The base Q-Series actuator can be equipped with dedicated Q-Series Control modules or generic controls and accessories.

1. Control modules are shipped with the applicable installation guide. Please refer to below documents when the Control module needs to be mounted to the base Q-Series actuator.
 - QC41, QC42 or QC43: Document DOC.IG.QC41.1.
 - QC40: Document DOC.IG.QC40.1.
 - QC54: Document DOC.IG.QC54.1.
2. Solenoid valve and or switch boxes can now be mounted to the actuator. Check the instructions as shipped with these components for installation, operating and maintenance instructions. We recommend to test-cycle the complete assembly to check correct operation.

4.7 Recommended Tubing Sizes

In case the solenoid valve is mounted remotely (i.e. in a central solenoid cabinet) and in order to supply sufficient flow of air supply to the actuator, the following tubing sizes are recommended.

Table 10. Tubing Sizes

| Actuator size | Runs up to | | Runs over to | |
|----------------------------|------------|----------|--------------|-----------|
| | 1.2 meters | 4 feet | 1.2 meters | 4 feet |
| 40, 65 | 6 mm | 1/4 inch | 6 mm | 1/4 inch |
| 100, 150, 200, 350, 600 | 6 mm | 1/4 inch | 8 mm | 5/16 inch |
| 950, 1600 | 6 mm | 1/4 inch | 10 mm | 3/8 inch |

Section 5: Mechanical Stroke Adjustment

This section explains:

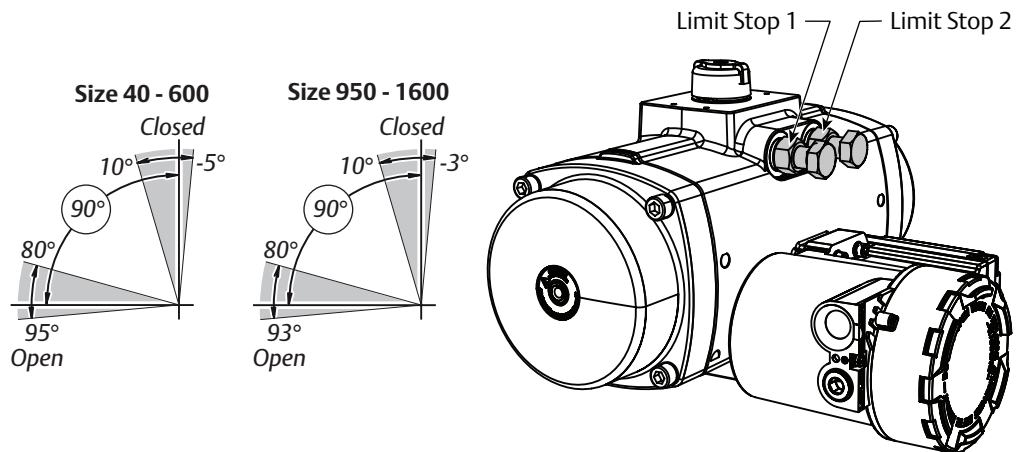
- What mechanical stroke adjustment is.
- What the factory settings are.
- How to adjust the travel stops.

FieldQ actuator sizes 40 to 1600 have two stroke adjustment stops for adjusting accurately the stroke of the actuator/valve assembly in open and closed position.

The factory setting of the stroke is 90°. Most quarter-turn valve applications will not require readjustment of these settings.

If required the stroke can be adjusted by means of two-stroke adjustment bolts.

Figure 18 Factory Setting



5.1 Travel Stop Adjustment

⚠ CAUTION: PRESSURIZED ACTUATOR

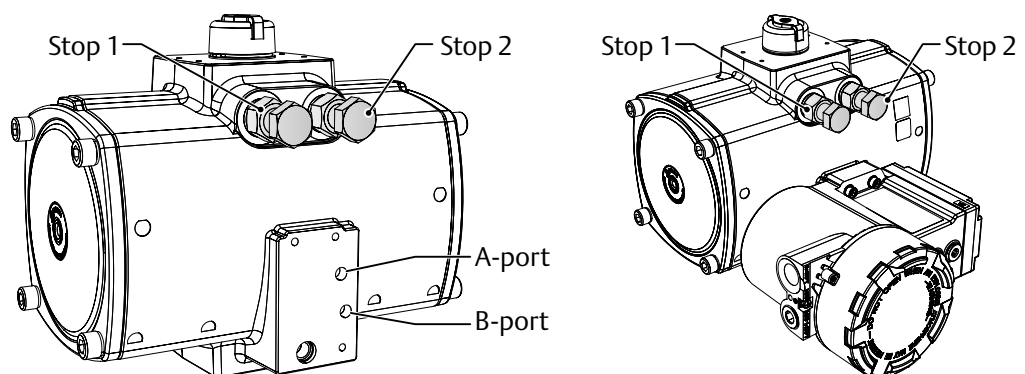
Do not turn out the travel stops completely when the actuator is pressurized.

When adjusting the travel stops and the actuator is still pressurized, the travel stops can be “shot” away when completely turned out.

5.1.1 Double-Acting Actuators

1. Operate valve/actuator assembly to the required "Closed" position.
2. Remove air supply.
3. Slacken locknut on the “Closed” stop (2).

Figure 19

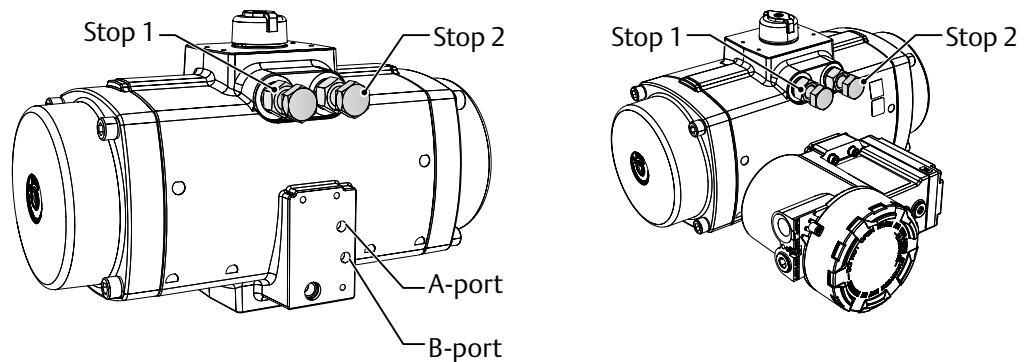


4. Turn the “closed” stop clockwise to reduce or counterclockwise to increase the travel. Consult Section 5.1.3 (angular displacement of the pinion), to define how far the limit stop must be turned in or out.
5. Tighten the lock nut.
6. Connect air and cycle the actuator to check that the position is correct. If not repeat from 2.
7. Remove air supply.
8. For adjusting the open position repeat steps 1 to 7, but now for the open position and “Open” stop (1).

5.1.2 Spring-Return Actuators

1. Connect air supply to the A port. Actuator will move to the open position.
2. Slacken locknut (24) on the “Closed” stop (2).

Figure 20



3. Turn the “Closed” stop clockwise to reduce or counterclockwise to increase the travel. Consult Section 5.1.3 (angular displacement of the pinion), to define how far the limit stop must be turned in or out.
4. Remove air supply. Actuator will move to the closed position.
5. Check whether the actuator valve assembly is in the required position. If not repeat steps 1 to 5.
6. Remove air supply.
7. For adjusting the open position repeat steps 1 to 6, but now for the open position and "Open" stop (1).

Table 11. Limit Stop Dimensions

| Actuator size | Thread | Bolt Wrench | Nut wrench |
|---------------|--------|-------------|------------|
| | | size (mm) | size (mm) |
| Q 40 | M 8 | 13 | 13 |
| Q 65 | M 10 | 17 (16)* | 17 (16)* |
| Q 100 | M 10 | 17 (16)* | 17 (16)* |
| Q 150 | M 10 | 17 (16)* | 17 (16)* |
| Q 200 | M 12 | 19 (18)* | 19 (18)* |
| Q 350 | M 16 | 24 | 24 |
| Q 600 | M 20 | 30 | 30 |
| Q 950 | M 22 | 32 | 32 |
| Q 1600 | M 24 | 36 | 36 |

1. Default dimension according DIN933 standard.
2. Dimensions in brackets according ISO4017 standard.

5.1.3 Angular Displacement

Below table identifies, per actuator size, what the angular displacement of the pinions is, when using the limit stop screws.

- Turn the limit stop clockwise reduces the stroke.
- Turn the limit stop counterclockwise to increase the stroke.

Table 12. Angular Displacement Limit Stops

| Actuator size | Turns for 5° adjustment of the pinion: | 360° revolution of limit stop screw will adjust |
|---------------|--|---|
| Q 40 | 0.8 | 6.3° |
| Q 65 | 0.6 | 8.3° |
| Q 100 | 0.7 | 7.1° |
| Q 150 | 1.2 | 4.2° |
| Q 200 | 1.0 | 5.0° |
| Q 350 | 0.8 | 6.3° |
| Q 600 | 0.8 | 6.3° |
| Q 950 | 1.1 | 4.7° |
| Q 1600 | 1.3 | 4.1° |

NOTICE

In case of air leakage over the limit stop bolts, turn the lock nut of the limit stop bolts tighter, until leakage stops.

Section 6: Maintenance

This section explains:

- When and how to do maintenance to the base actuator.
 - Normal maintenance.
 - Extraordinary maintenance.
- What to do when replacing springs.
- What the availability is of spare parts, action conversion kits and temperature conversion kits.

⚠ WARNING

Actuator must be isolated pneumatically and electrically before any (dis)assembly starts. Before mounting or (dis)assembling the actuator, consult the relevant sections of this manual.

6.1 Normal Maintenance

FieldQ actuators are designed to operate without maintenance for their normal working life. Normal working life is 500,000 cycles* for sizes up to Q1600.

For actuators with the optional low temperature silicon seals, we advise to replace these seals after 250.000 cycles*.

NOTE:

*Cycles = one open stroke and one close stroke.

We recommend regular inspections to make certain that the actuator / valve assembly operates smoothly and to check that there are no visible or audible defects. We advise to perform the following checks upon each proof test interval complying with the rules and regulations of the country of final installation:

- Visually check the entire actuator as well as the control system (where foreseen).
- Ensure there are no leaks on the actuator parts under pressure.
- Check pneumatic connections for leaks. Tighten tube fittings as required.
- Check if manual override (where foreseen) is regular.
- Check if pneumatic filter cartridge (where foreseen) is sound and filter bowl (where foreseen) has been cleaned properly.
- Check the setting of the relief valves (where foreseen).
- Verify that the power fluid supply pressure value is within the required range.
- Remove built-up dust and dirt from all actuator surfaces.

- Inspect actuator paint work for damages to ensure continued corrosion protection. Touch-up as required in accordance with the applicable paint specification.
- Operate the Actuator/Valve assembly for 2 complete open/close cycles with complete closing of the valve.
- Verify the correct performing of open – close operations (e.g. check locally, or automatically via Logic solver, the correct movement of the actuator).

All actuators are supplied with sufficient lubrication for their normal working life. If required, see Section 9.1 (Grease instructions) for the recommended grease.

For mounting the parts of the repair kit follow the instruction of the Decommission, Disassembly and Reassembly sections of this manual.

6.2 Inspection and Repair

Replacement of internal seals and bearings allows to you extend the normal working life. Service kits, containing all necessary spare parts (like seals, bearings, grease and instructions) can be obtained through authorized Emerson – Actuation Technologies distributors.

6.2.1 Service Kits

All soft seals, bearings, and nonreusable parts are included in the recommended service kit. The service kit is identical for both the double-acting and the spring-return models.

6.2.2 Spring-Return Actuator

For the spring-return models, we recommend a set of spare springs for each different model in addition to the recommended spare parts kit.

On spring-return actuators, the spring cartridges can be replaced. **SPRING CARTRIDGES SHOULD ALWAYS BE REPLACED IN COMPLETE SETS.** Spring kits are available through authorized Emerson – Actuation Technologies distributors.

Section 7: Decommission (Out of Service)

This section explains:

- How to decommission an actuator in a safe way.

7.1 Before You Start

⚠ WARNING: MOVING PARTS

Actuator must be isolated pneumatically and electrically before any (dis)assembly starts. Before mounting or (dis)assembling the actuator consult the relevant sections of this manual.

Actuator can move when removing supply pressure and/or electrical control signal of actuators. If not already there, a spring-return actuator will cycle to its fail position.

When removing any ball valve or plug valve assemblies from a pipe system, isolate the piping system on which the Actuator is installed and relieve any media pressure that may be trapped in the valve cavities before removing the actuator for maintenance.

A spring-return actuator mounted on a valve, which is stuck in mid stroke, contains a high spring load which will cause a sudden rotation of the actuator versus the valve or valve bracket during disassembly. This can cause serious injury to personnel or damage to property.

Refer to Appendix A for instructions to safely remove the spring load before disassembling the spring-return actuator from valve or bracket.

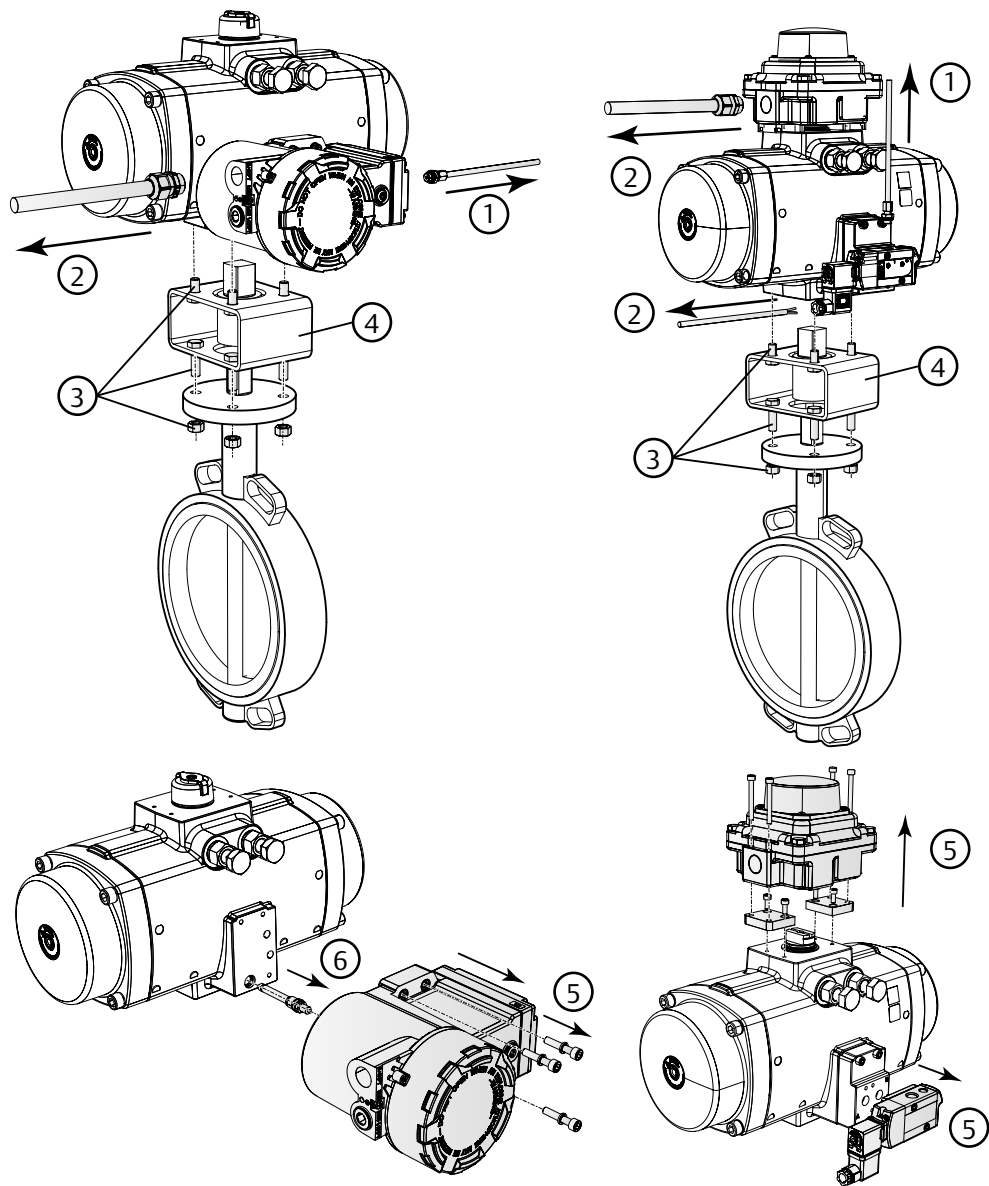
Important

Refer to the Safety Guide for Lifting Instructions.

7.2 Removing the Actuator from the Valve

1. Disconnect all air supply hoses from the control module, ports A and B or solenoid.
2. Disconnect all electrical wirings of the Control module. or switch box or the solenoid valve.
3. Remove the bolts and nuts from the valve flange.
4. Remove the bracket from the actuator.
5. Remove the switch box and solenoid valve. Refer to the documentation of the switch box and solenoid valve for safe disassembly.

Figure 21 Removing Actuator from Valve



Section 8: Disassembly

This section explains:

- How to disassemble an actuator safely.

Tip

The instructions of this section can be used for maintenance or reconfiguration like spring set change or maintenance.

Reference numbers for components refer to the exploded view in Section 11.

In case of maintenance, discard all the used soft parts like O-ring seals, guide bands, wear strips and circlip.

⚠ WARNING

Actuator must be isolated pneumatically and electrically before any (dis)assembly starts.

Before mounting or (dis)assembling the actuator consult the relevant sections of this manual.

⚠ CAUTION: SPRING FORCE

Spring-return actuators contain springs in a compressed state. Follow these instructions to release the spring force safely.

The end caps of spring-return actuators sizes 40 to 600 should be free of the spring load after 10 full turns (crosswise relaxing) of the end cap screws. If there is still spring load on the end cap, this might indicate a broken spring cartridge. Stop this disassembly procedure immediately. Continuing might cause the end cap to be “shot” away causing serious injury.

Spring return actuator size 950 to 1600 have long end cap screws to release the spring load safely.

Refer to Appendix A for instructions to safely remove the spring load before disassembling the end cap of a spring-return actuator with a broken spring cartridge.

NOTICE

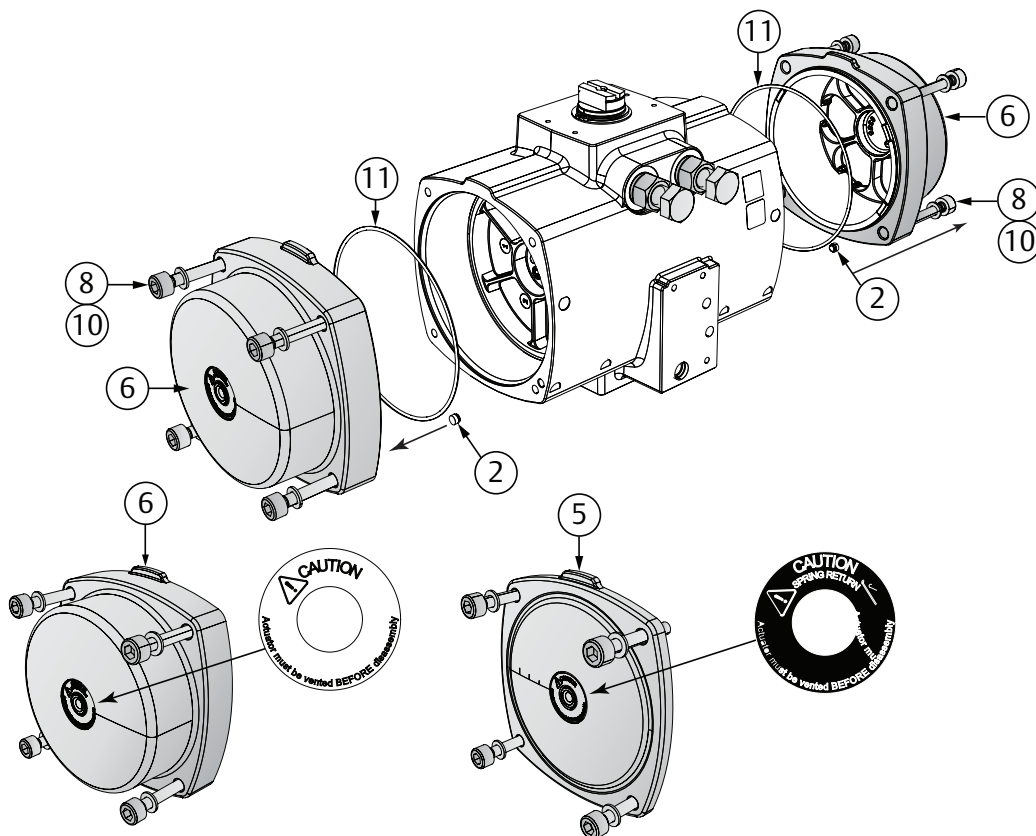
The actuator is designed to be installed, commissioned and maintained using generic tools like wrenches, Allen keys and screwdrivers.

Refer to the tables in this section or refer to appendix B Tool and Torque tables.

8.1 Removing End Caps (Size 40 to 600)

1. For Double-acting actuators, do the following:
 - a. Remove the screws (8) and washers (10) of the end caps (6).
 - b. Remove the o-ring (11) and "B" port seal (2). Discard these parts.

Figure 22 Double-Acting End Caps Removal



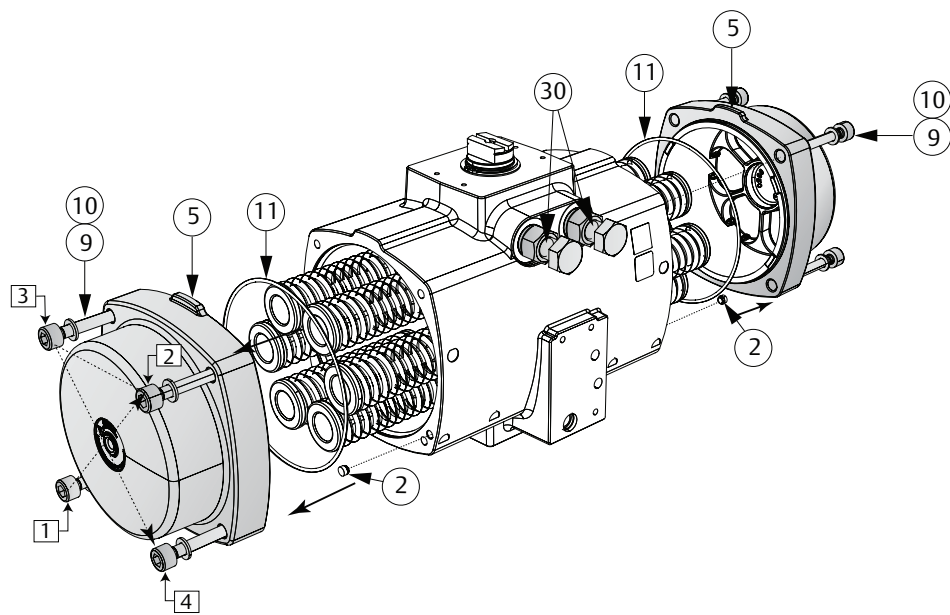
Double-Acting end caps (6) are fitted with a white warning sticker. Spring-Return end caps (5) are fitted with a black warning sticker.

Actuator sizes 40 to 100 have high end caps for double-acting and spring-return models.

Actuator sizes 150 to 1600 have low end caps for double-acting models and high end caps for spring-return models.

2. For Spring-return actuators, do the following:
 - a. **Tip:** For actuators with assembly code CW, turn back the right hand limit stop screw (30) 2 full turns.
For actuators with assembly code CC, turn back the left hand limit stop screw (30) 2 full turns.
This will lower the spring force on the end cap and reduces the screw out length of the end cap screws.
 - b. Uniformly loosen the screws (9) of the end caps (5) 1/4-1/2 turns at a time, in sequence, as per Figure 23, to relieve the pre-load of the springs.
 - c. Remove the o-rings (11) and "B" port seals (2). Discard these parts.

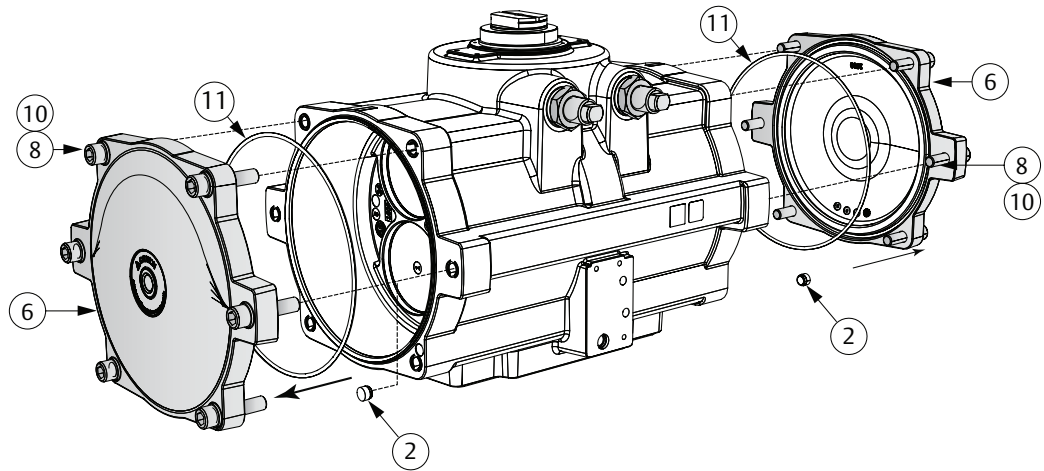
Figure 23 Spring-Return End Caps Removal



8.2 Removing End Caps (Size 950 to 1600)

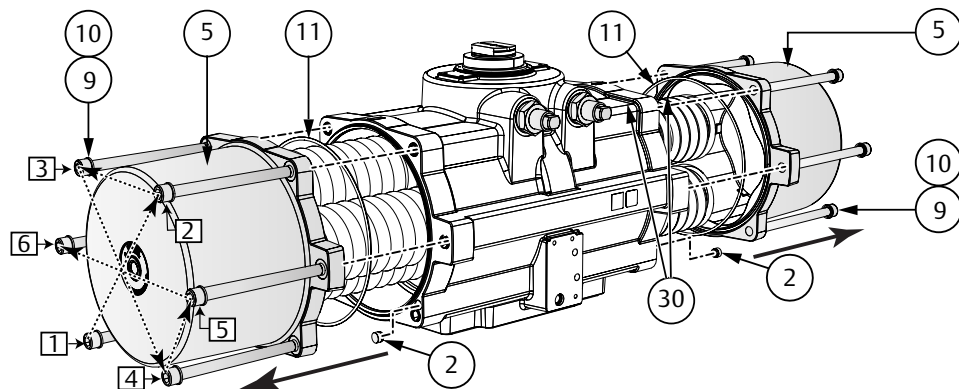
1. For Double-acting actuators, do the following:
 - a. Remove the screws (8) and washers (10) of the end caps (6).
 - b. Remove the o-ring (11) and "B" port seal (2). Discard these parts.

Figure 24 Double-Acting End Caps Removal Size 950 to 1600



2. For Spring-return actuators, do the following:
 - a. **Tip:** For actuators with assembly code CW, turn back the right hand limit stop screw (30) 2 full turns. For actuators with assembly code CC, turn back the left hand limit stop screw (30) 2 full turns. This will lower the spring force on the end cap and reduces the screw out length of the end cap screws.
 - b. Uniformly loosen the screws (9) of the end caps (5) 1/4-1/2 turns at a time, in sequence, as per Figure 25, to relieve the pre-load of the springs.
 - c. Remove the o-rings (11) and "B" port seals (2). Discard these parts.

Figure 25 Spring-Return End Caps Removal Size 950 to 1600



8.3 Removing Spring Cartridges or Springs

1. Remove the spring cartridges or springs (7).

Figure 26 Removing Spring Cartridges Size 40 to 600

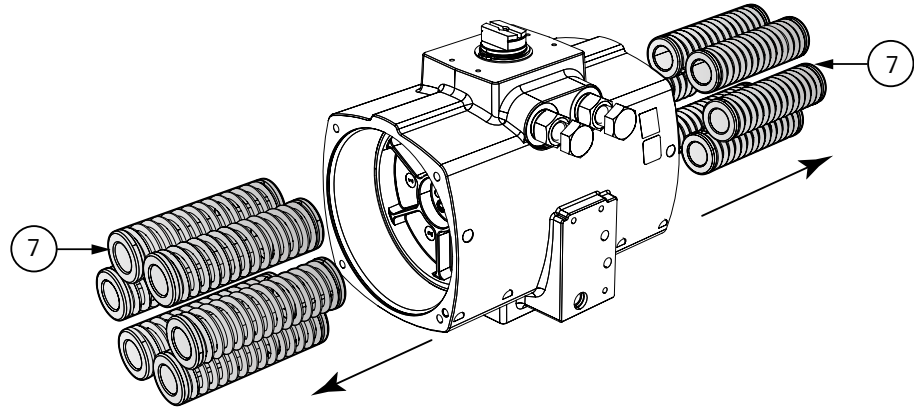
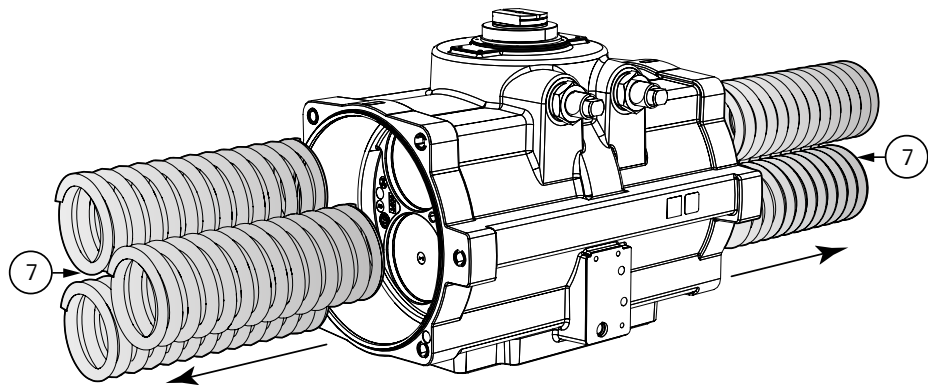


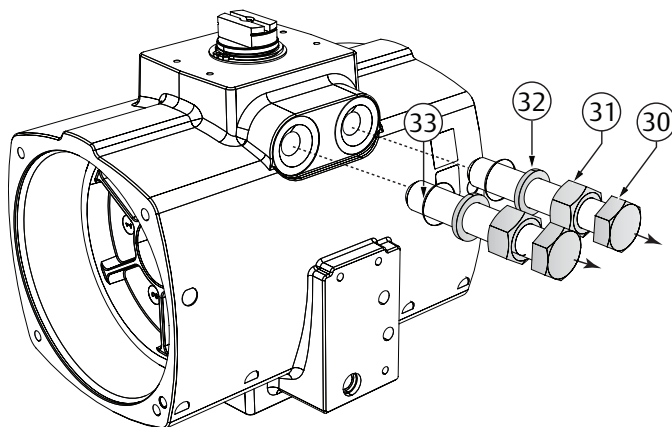
Figure 27 Removing Springs Size 950 to 1600



8.4 Removing of Limit Stop Screws

1. Remove the limit stop screws (30), limit stop nuts (31), limit stop washers (32) and limit stop o-rings (33). Discard the o-rings.

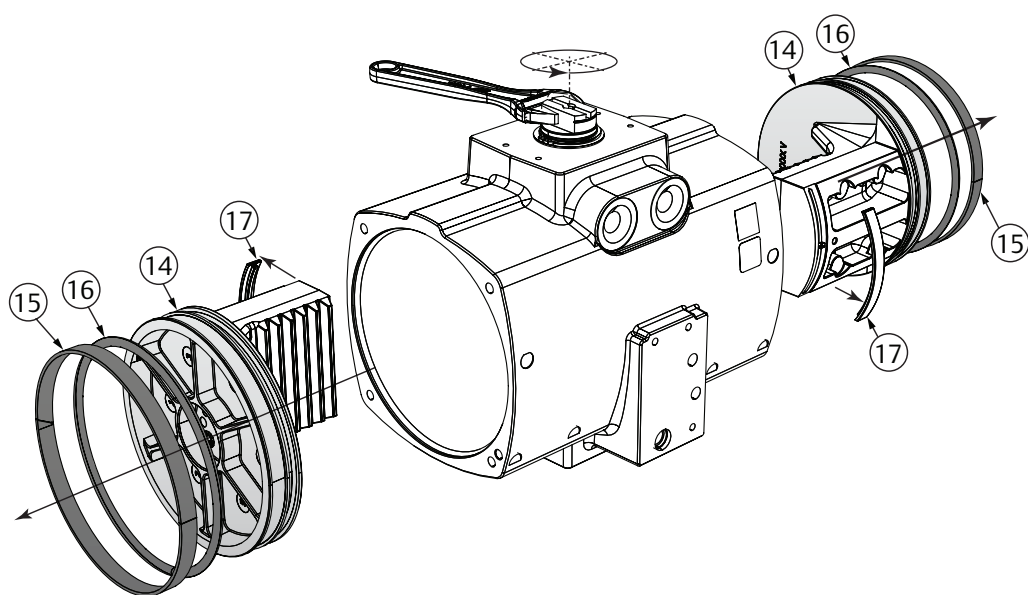
Figure 28 Limit Stop Removal



8.5 Removing Pistons

1. Use a wrench and turn the pinion counterclockwise until the pistons (14) come out of the body.
2. Remove the piston bearings (15), piston rack bearing strips (17) and piston o-ring seals (16). Discard these parts.

Figure 29 Removing Pistons



8.6 Removing Pinion

1. Remove the circlip (27) and thrust bearing (23) on top of the pinion assembly. For sizes 950 to 1600 remove also the top pinion bearing (19).
2. Remove the pinion (18) by pushing it downwards.
3. Remove the pinion O-ring seals (21/22) and the pinion bearings (19/20). For Size 950 to 1600, remove also the backup ring (29).
4. Discard all of these parts.

Figure 30 Pinion Removal

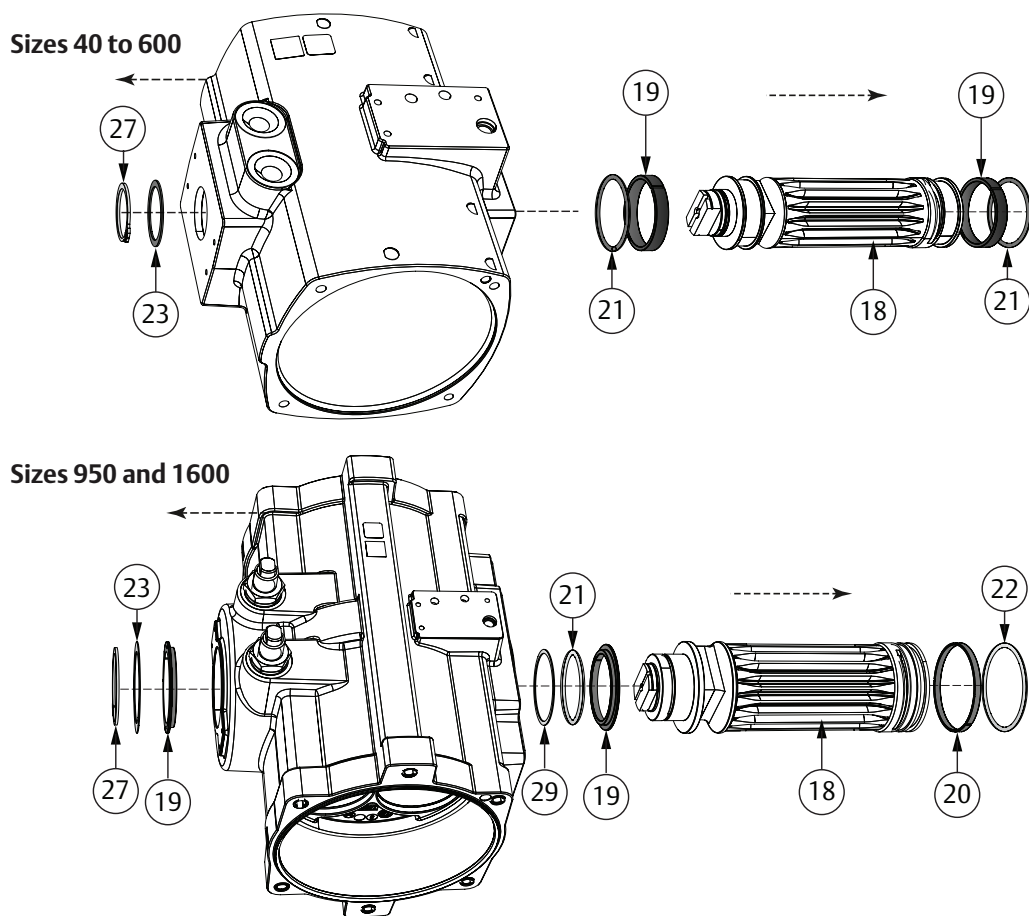


Table 13. Recommended circlip pliers according DIN 5254 (or equal) for shaft circlip

| Actuator size | Pinion top diameter | | Pliers according DIN 5254 | Actuator size | Pinion top diameter | | Pliers according DIN 5254 |
|---------------|---------------------|--------|---------------------------|---------------|---------------------|--------|---------------------------|
| 40 - 100 | 22 mm | 0.866" | A2 | 950 | 65 mm | 2.559" | A3 |
| 150 - 350 | 36 mm | 1.417" | A3 | 1600 | 75 mm | 2.953" | A3 |
| 600 | 55 mm | 2.165" | A3 | | | | |

8.7 Cleaning the Components

In case of maintenance, use a clean dry cloth and thoroughly wipe clean and remove old grease from:

- The inside and outside of the body including thread holes and crevices/grooves.
- The pinion gears.
- The pistons.

Section 9: Reassembly

This section explains:

- Which parts and how to grease them.
- How to reassemble a complete actuator.
- How to set the stroke adjustment bolts after reassembly.
- How to do a basic function and air leak test.

Tip

The instructions of this section can be used for maintenance or reconfiguration like spring set change or maintenance.

Reference numbers for components refer to the exploded view in Section 11.

In case of maintenance, discard all used soft parts like O-ring seals, guide bands and wear strips and circlip and replace them with the parts as supplied in the repair kit.

In case of reconfiguration replace the parts as supplied in the conversion kit (see also Section 6).

Refer to the Safety Guide for Lifting Instructions.

NOTICE

The actuator is designed to be installed, commissioned and maintained using generic tools like wrenches, Allen keys and screwdrivers.

Refer to the tables in this section or refer to Appendix B Tool and Torque tables.

9.1 Grease Instructions

Check the product coding on the product labels and Section 3 of this manual, to define which type of grease to use.

Table 14. Recommended greases

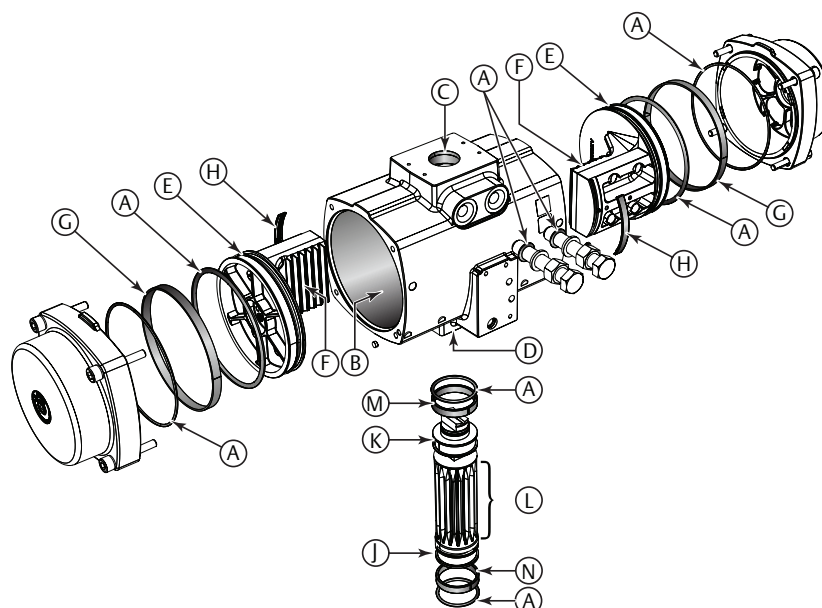
| Standard temperature: | High temperature: | Low Temperature: |
|--|--------------------------------------|---|
| -20°C to +80°C / -4°F to +176°F | -10°C to +120°C / +14°F to +250°F | -40°C to +80°C / -40°F to +176°F |
| - Castrol High Temperature - Formerly called Castrol LMX - Rocol Sapphire Premier - Formerly called Sapphire HI-TEMP 2 - Castrol Spheerol EPL 2 - Formerly called BP Energrease LS-EP2 - Total Ceran XM 220 - Formerly called Total Ceran WR2 | | - Castrol Optitemp LG2 - SKF – LGLT 2 - FUCHS – Renolit Unitemp 2 |

We recommend using a suitable sized paint brush to apply the required amount of grease on the parts as per Table 15 and Figure 31.

Table 15. Grease Instruction

| Part | | Section of part | Amount of grease |
|----------------|---------------|----------------------------|---------------------------------------|
| O-rings: | A | Completely | Light film |
| Housing Parts: | B | Piston bore | Light film |
| | C | Top pinion bore | Light film |
| | D | Bottom pinion bore | Light film |
| | E | O-ring & bearing groove | Light film |
| Piston Parts: | F | Rack teeth | Half the teeth depth full with grease |
| | G | Piston bearing | Light film on outside |
| | H | Piston rack bearing strip | Light film |
| | Piston Parts: | J | Pinion bottom & O-ring groove |
| K | | Pinion top & O-ring groove | Light film |
| L | | Gear teeth | Half the teeth depth |
| M | | Pinion top bearing | Light film (inside and out) |
| N | | Pinion bottom bearing | Light film (inside and out) |

Figure 31 Grease Instructions



9.2 Reassembly of the Pinion

1. Grease the pinion parts according to Section 9.1.
2. Install the pinion bearings (19/20) and the O-ring seals (21/22) on the pinion (18). For Size 950 to 1600, install also the the backup ring (29).
3. Insert the pinion (18) in the housing.
4. For sizes 950 to 1600 install first the top pinion bearing (19). For all sizes, install the thrust washer (23) and mount the circlip (27) on the pinion top.
 - Install the new circlip onto its mating groove on the top shaft extension and with the non-sharp edge (2) towards the housing and the sharp edge (1) towards the top of the shaft.

Figure 32 Reassemble the Pinion

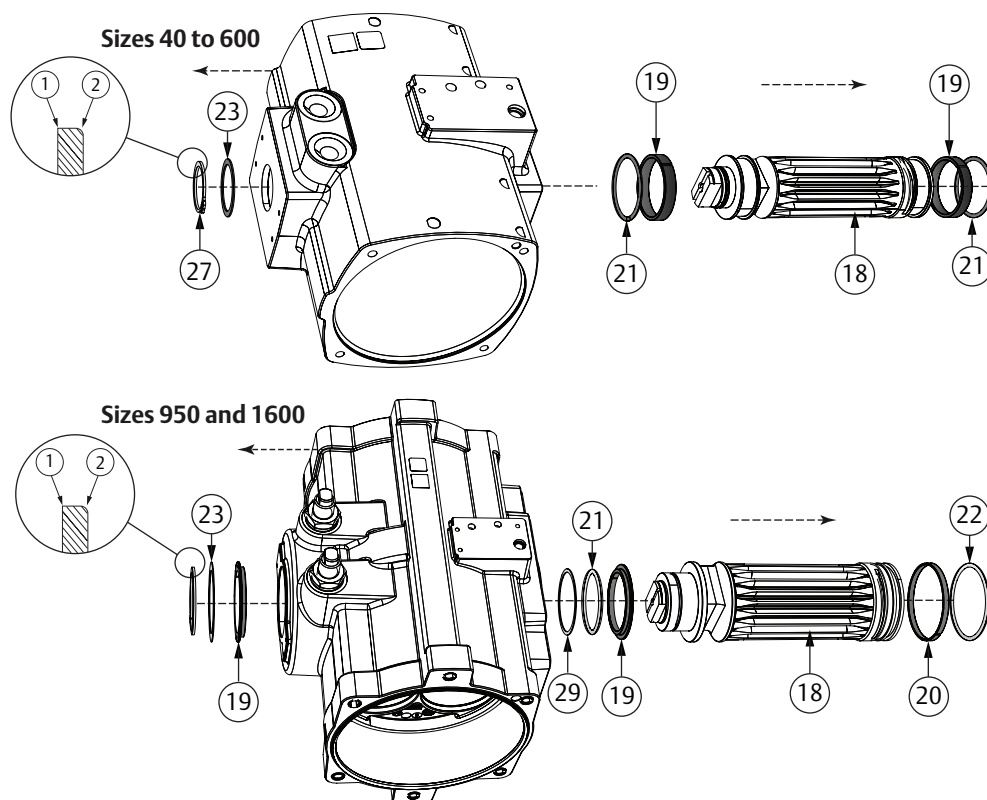


Table 16. Recommended circlip pliers according DIN 5254 (or equal) for shaft circlips

| Actuator size | Pinion top diameter | | Pliers according DIN 5254 | Actuator size | Pinion top diameter | | Pliers according DIN 5254 |
|---------------|---------------------|--------|---------------------------|---------------|---------------------|--------|---------------------------|
| 40 - 100 | 22 mm | 0.866" | A2 | 950 | 65 mm | 2.559" | A3 |
| 150 - 350 | 36 mm | 1.417" | A3 | 1600 | 75 mm | 2.953" | A3 |
| 600 | 55 mm | 2.165" | A3 | | | | |

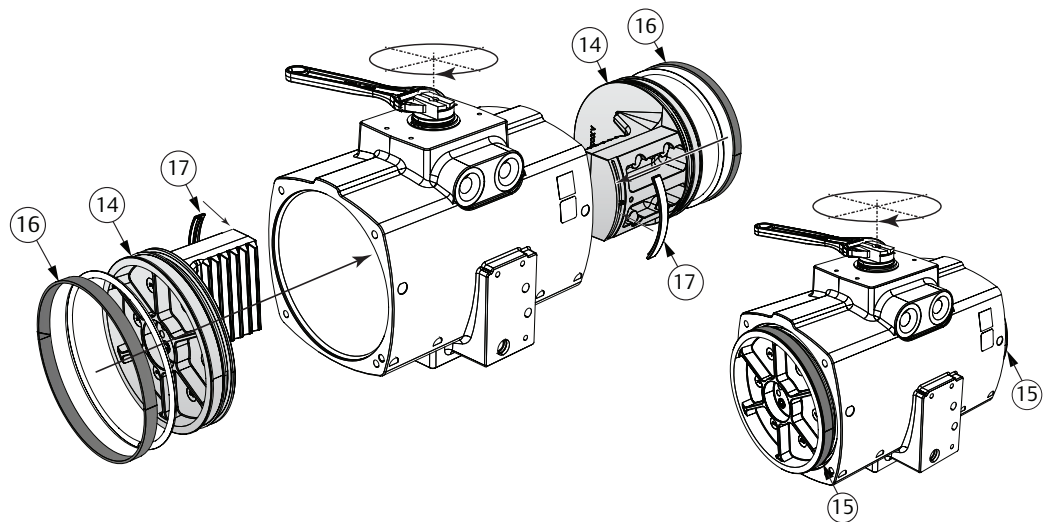
9.3 Reassembly of the Pistons

NOTICE

Before reassembling the pistons, check the required assembly code (see Section 4.4).

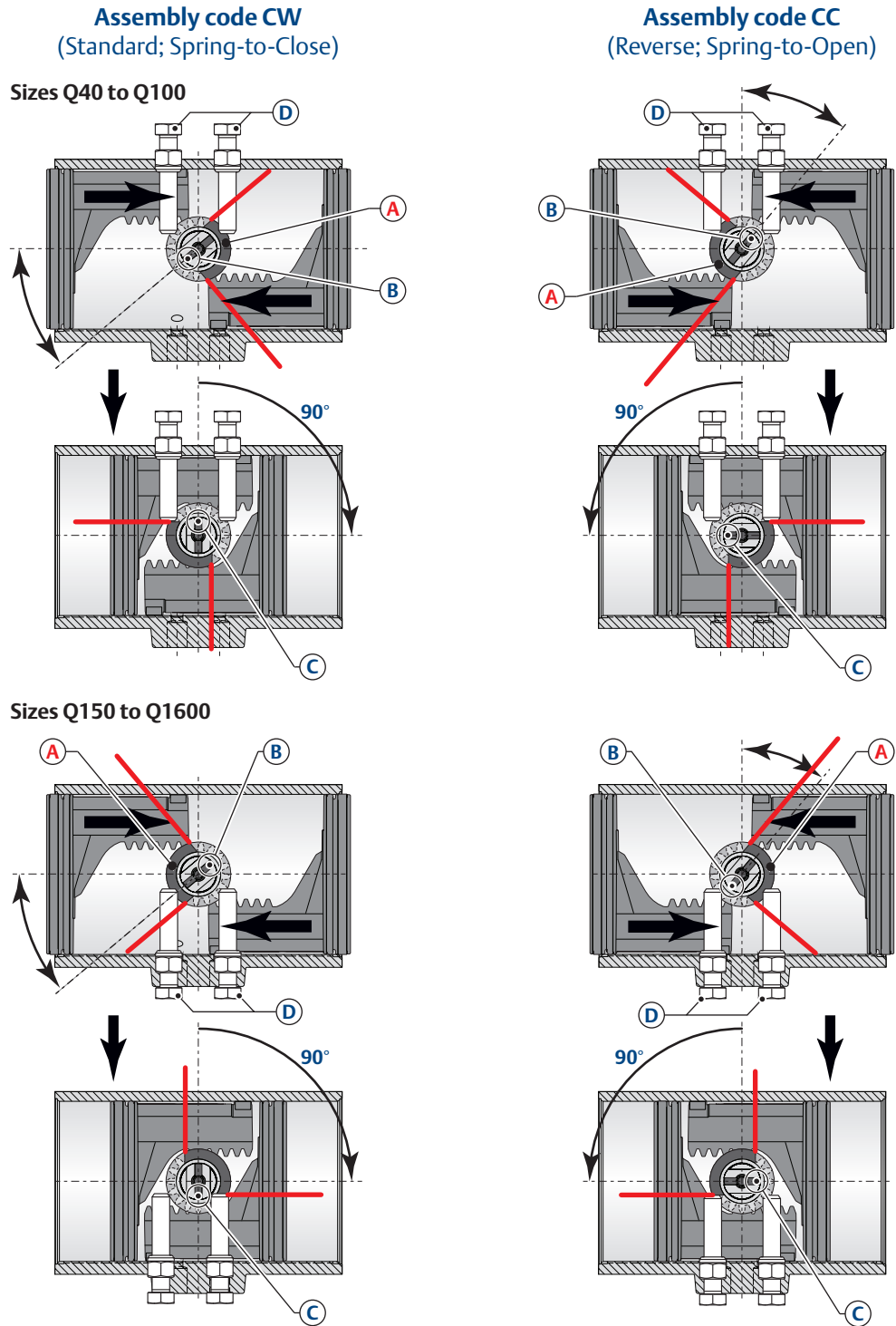
1. Grease the piston parts according to step 9.1.
2. Install the piston rack bearing strips (17) and piston O-ring seals (16) on the pistons (14). Ensure all these parts are kept in place during assembly.

Figure 33 Reassemble the Pistons



3. Before aligning the pinion and pistons, verify the actuator size and the location of the limit stop screws (D), see Figure 34. Align the pinion so that the teeth on the pinion will pick up the pistons rack teeth when turning the pinion. Note the position of the pinion top slot and the cam on the pinion top:
 - For standard or Spring-to-Close: Assembly Code CW.
 - For reverse or Spring-to-Open: Assembly Code CC.
4. Slightly push the pinion inward to engage with the pinion.
 - Ensure that smooth movement and 90-degree operation can occur without moving the pistons out of the actuator body.
 - For larger pistons, use a rubber mallet and slightly hitting the pistons inward to engage with the pinion.
5. When the pistons are moved 90° inwards (see Figure 34), check that the pinion slot on the pinion top is:
 - Perpendicular to the length centre line of the house for assembly code CW.
 - In line to the length centre line of the house for assembly code CC.
6. If not, turn pinion to move the pistons outward until they disengage from the pinion. Shift one tooth of the pinion, reassemble and check again.
7. Move the pistons outward so that just the bearing groove sticks out of the housing. Fold the piston bearings (15) around the piston and hold the bearing ends in place while moving the pistons inwards.
 - For larger pistons, use a rubber mallet and slightly hitting the pistons inward to engage with the pinion.

Figure 34 Position of the Slot and the Cam on the Pinion Top



A = Position of cam
 B = Position of slot and dot in pinion
 C = Final position of pinion dot
 D = Position of limit stop screws

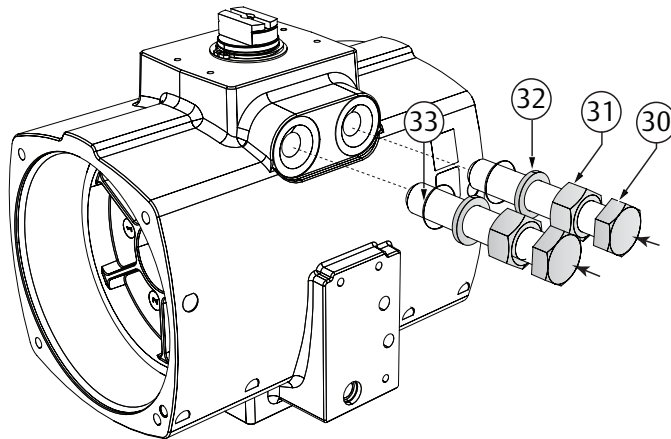
NOTE:

When the pistons are completely moved inwards, the pinion top will show a 5° over travel.

9.4 Reassembly and Settings of the Limit Stops

1. Install the limit stop screws (30), limit stop nuts (31), limit stop washers (32) and limit stop O-rings (33).

Figure 35 Install Limit Stop Bolts



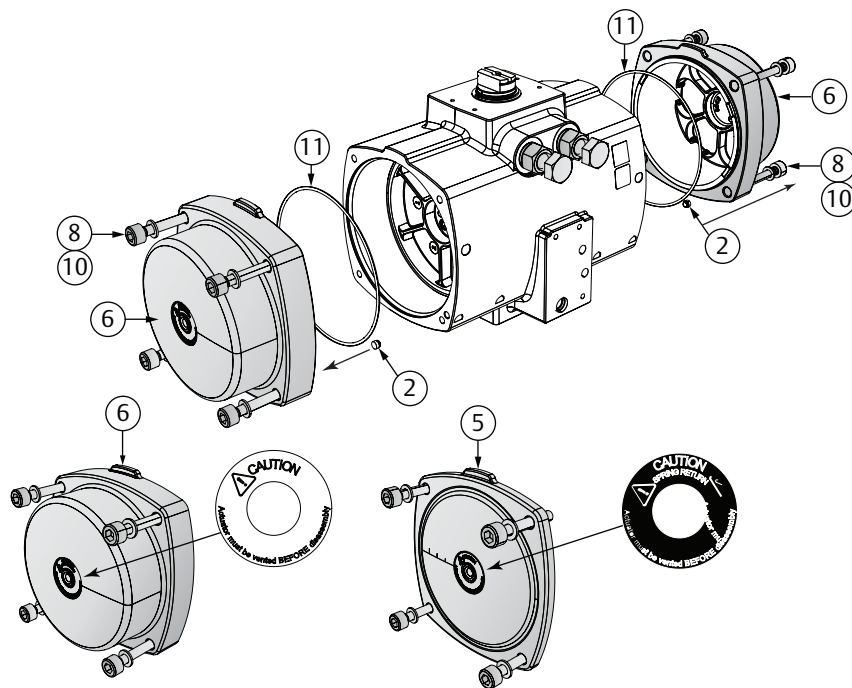
2. Move the pistons inward until the slot in the top of the pinion is perpendicular to centerline of the housing.
3. Double check if the position of the slot and the cam on the pinion top is in the correct position (see Figure 34). Screw in the right hand travel stop until it comes into contact with the pinion stop face.
4. Move the pistons outward until the slot in the top of the pinion is in line with the centerline of the housing.
5. Screw in the left hand travel stop until it comes into contact with the pinion stop face.
 - For accurate travel stop adjustment of the actuator on the valve, see Section 5.

9.5 Reassembly of the End Caps

9.5.1 Double-Acting Actuators

1. Grease the O-ring seals (11) and B port seals (2) according to step 9.1.
2. Ensure that O-ring seals (11) and B port seals (2) are kept in place during assembly.
3. Install the end caps (6) and tighten the end cap screws (8). Refer to Table 17 for the correct torque.

Figure 36 Double-Acting End Cap Assembly



Double acting end caps (6) are fitted with a white warning sticker. Spring return end caps (5) are fitted with a black warning sticker.

Actuator sizes 40 to 100 have high end caps for double-acting and spring-return models.

Actuator sizes 150 to 1600 have low end caps for double-acting models and high end caps for spring return models.

Table 17. End Cap Screw Torque

| Actuator size | Thread | Tool | Size | Torque (Nm) | | | Torque (lbf.ft) | | |
|---------------|--------|-----------|------|-------------|------|------|-----------------|------|------|
| | | | | Target | Min. | Max. | Target | Min. | Max. |
| Q 40 | M5 | Allen Key | SW 4 | 2.0 | 1.6 | 3.0 | 1.5 | 1.2 | 2.2 |
| Q 65 | M5 | | SW 4 | 2.0 | 1.6 | 3.0 | 1.5 | 1.2 | 2.2 |
| Q 100 | M5 | | SW 4 | 2.0 | 1.6 | 3.0 | 1.5 | 1.2 | 2.2 |
| Q 150 | M6 | | SW 5 | 3.3 | 2.6 | 5.1 | 2.4 | 1.9 | 3.8 |
| Q 200 | M6 | | SW 5 | 3.3 | 2.6 | 5.1 | 2.4 | 1.9 | 3.8 |
| Q 350 | M8 | | SW 6 | 8.4 | 6.7 | 12.2 | 6.2 | 4.9 | 9.0 |
| Q 600 | M10 | | SW 8 | 15.3 | 12.2 | 24.8 | 11.3 | 9.0 | 18.3 |
| Q 950 | M12 | | SW10 | 24.3 | 19.4 | 41.6 | 17.9 | 14.3 | 30.7 |
| Q 1600 | M12 | | SW10 | 24.3 | 19.4 | 41.6 | 17.9 | 14.3 | 30.7 |

9.5.2 Spring-Return Actuators (Size 40 to 600)

Important

FieldQ Spring return actuators are supplied with springs on each side of the actuator. Throughout the Q-Series size range, there are three different spring designs:

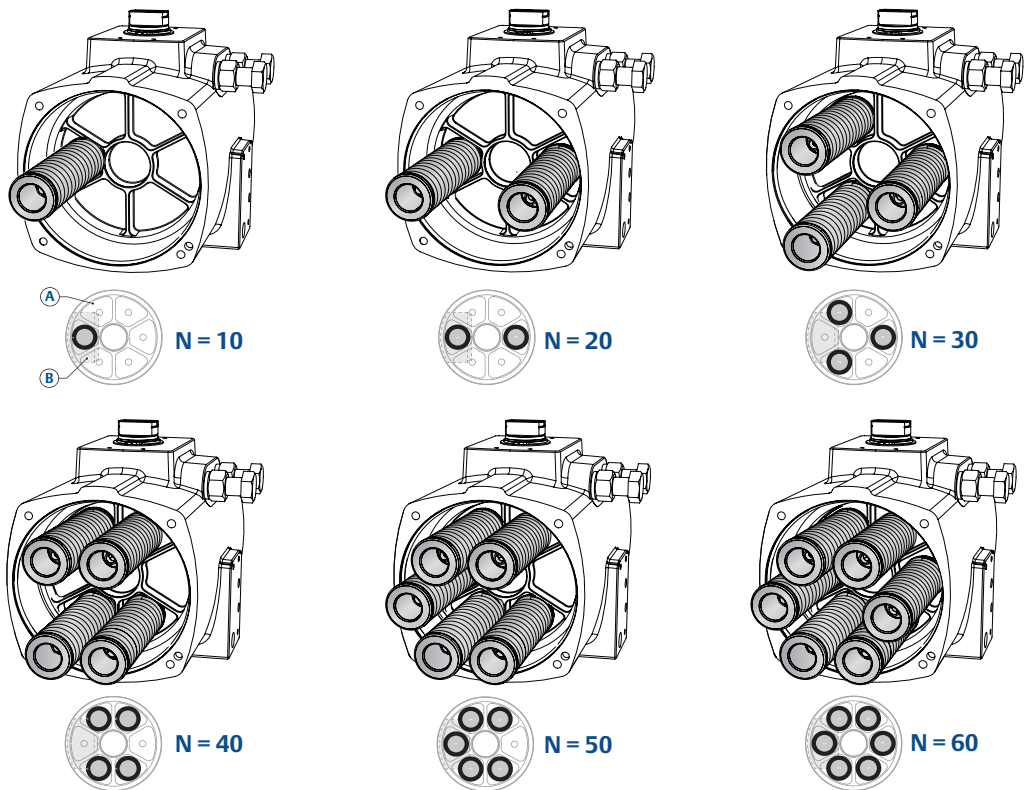
- Sizes Q40 to Q600 have 6 springs on each side (see Figure 37).
- Sizes Q950 to Q1600 have 3 springs on each side (see Section 9.5.3).

Check below figures to see where to place the spring cartridges in case of spring set conversion.

When replacing spring cartridges in a spring-return actuator, ensure that the cartridges are replaced in their identical position from where they were removed.

Before assembling the spring cartridges and end caps, make sure that the pistons are completely inwards.

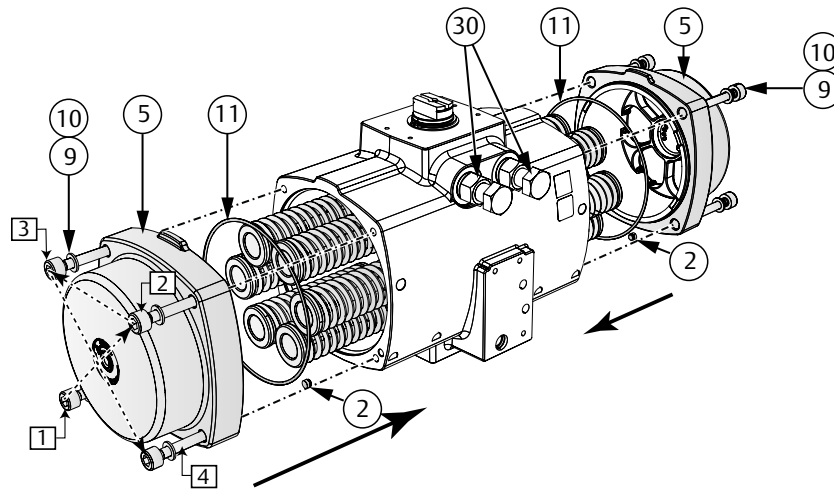
Figure 37 Spring Placement Size 40 to 600



A = Piston top view
B = Position of piston gear rack

1. Grease the O-ring seals (11) and B port seals (2) according to step 9.1.
2. Ensure that O-ring seals (11) and B port seals (2) are kept in place during assembly.
3. Place the spring cartridges in actuator as per required spring set (see Figure 37).
4. Put the end cap screw washer (10) on the end cap screw (9) and tighten each end cap screw in small equal turns and in the sequence as per Figure 38. Refer to Table 17 for the correct torque. We recommend to use some grease on the screws for easier fastening.

Figure 38 Spring-Return End Cap Assembly Size 40 to 600



9.5.3 Spring-Return Actuators (Size 950 to 1600)

Important

FieldQ Spring return actuators are supplied with springs on each side of the actuator. Throughout the Q-Series size range, there are three different spring designs:

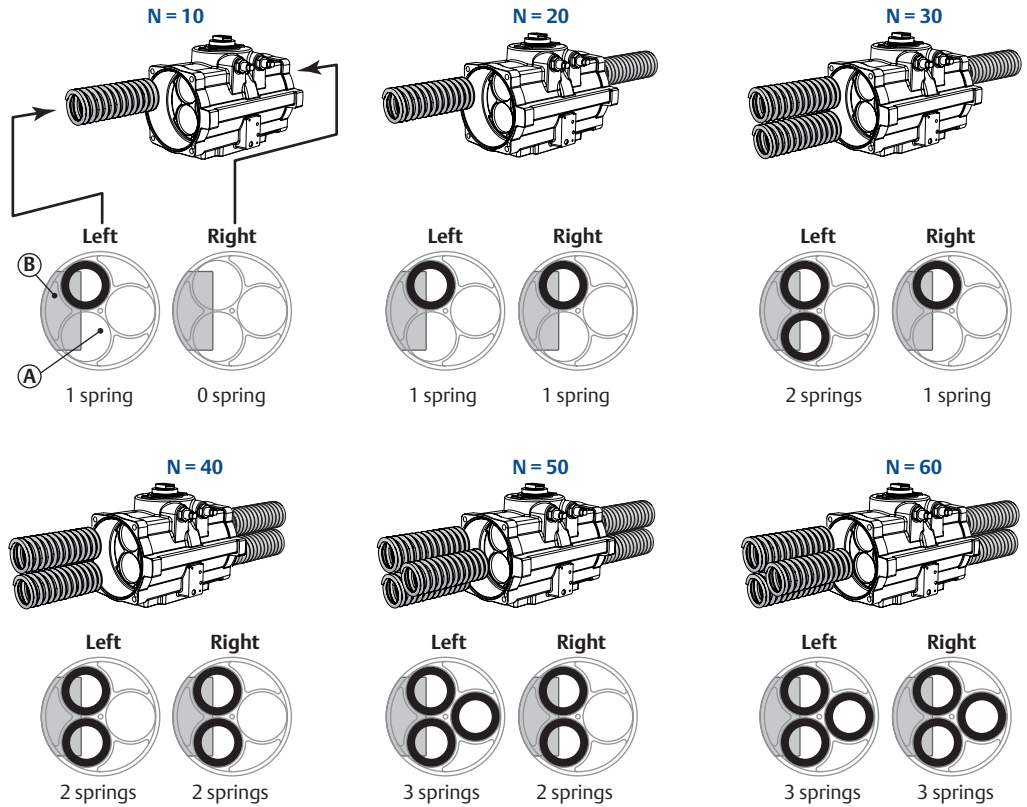
- Sizes 40 to 600 have 6 springs on each side (Section 9.5.2).
- Sizes 950 to 1600 have 3 springs on each side (see Figure 39).

Check below figures to see where to place the springs in case of spring set conversion.

When replacing springs in a spring-return actuator, ensure that the springs are replaced in their identical position from where they were removed.

Before assembling the springs and end caps, make sure that the pistons are completely inwards.

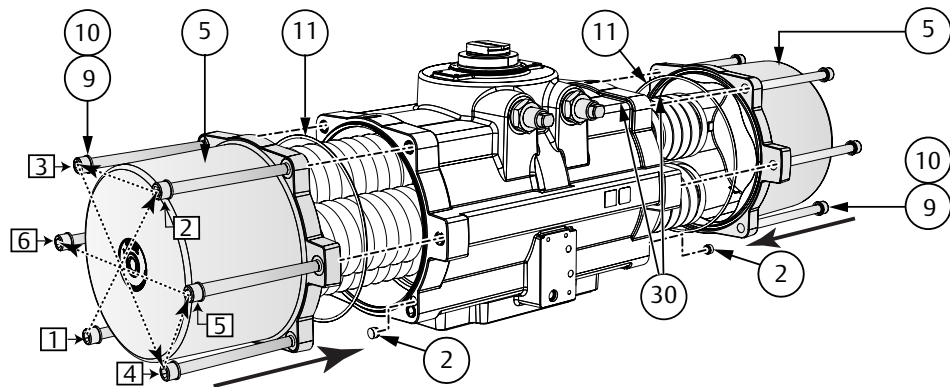
Figure 39 Spring Placement Size 950 and 1600



A = Piston top view
 B = Position of piston gear rack

1. Grease the O-ring seals (11) and B port seals (2) according to step 9.1.
2. Ensure that O-ring seals (11) and B port seals (2) are kept in place during assembly.
3. Place the spring in actuator as per required spring set (see Figure 39).
4. Put the end cap screw washer (10) on the end cap screw (9) and tighten each end cap screw in small equal turns and in the sequence as per Figure 40. Refer to Table 17 for the correct torque. We recommend to use some grease on the screws for easier fastening.

Figure 40 Spring-Return End Cap Assembly Size 950 to 1600



9.6 Basic Function and Air Leak Test

⚠ CAUTION: MOVING PARTS

Applying pressure to the actuator will cause the actuator/valve assembly to operate.

1. Apply pressure (max. 8 bar/120 psi) to ports A and B. Use some soap suds at the indicated points: around pinion top (1), pinion bottom (2), the end caps (3) and limit stops (4).
2. In case of leakage around:
 - a. The limit stop bolts: Turn the lock nut of the bolts tighter, until the leakage stops.
 - b. The end caps: Disassemble the end caps, replace o-rings and reassemble.
 - c. The pinion top or bottom and A- or B- port: Disassemble the complete actuator, replace o-rings and reassemble.
3. When needed mount now the NAMUR adaptation plate. Apply pressure to the NAMUR plate's A and B port.
4. Use some soap suds around the NAMUR plate to check for leakage. In case of leakage:
 - a. Tighten the NAMUR plate's screws.
 - b. If this does not solve the leakage replace the NAMUR plate's seals.

Figure 41 Basic Function and Air Leak Test

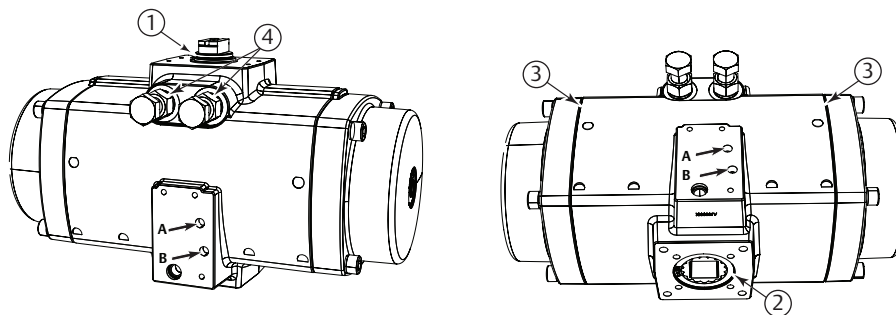
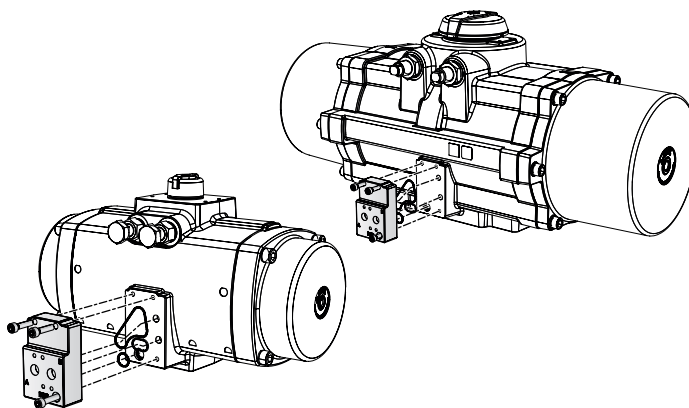


Figure 42 NAMUR Plate Mounting



Section 10: Troubleshooting

10.1 Mechanical Problems

| Problem | Possible error | Solution | Where to find |
|--|---|---|---------------|
| Feedback position and actual position are not the same. | Actuator and valve are mounted 90° rotated in relation to each other. | Remove actuator from valve. Check assembly code of actuator. Put both valve and actuator in “Closed” position. Mount actuator on valve. | Section 4 |
| Valve is in “Closed” position, actuator is in “Open” position and will not move anymore. | | | |
| Valve does not reach the completely “Closed” or “Open” position. | Limit stop screws are not set correctly. | Readjust the limit stop screws. | Section 5 |
| | Insert is not mounted properly. | Mount the insert in the right position. Remark: Rotate insert to one cam = 22.5°. | Section 4.5 |
| | Pressure too low. | Apply pressure as per sizing. | |
| | Sizing is wrong. | Check valve torque data with actuator torque data. | |
| | Pinion is mounted in the wrong position. | Re assemble actuator. | Section 9 |
| Actuator rotates, valve does not. | No coupling between actuator shaft and valve spindle. | Install a coupling between actuator shaft and valve spindle. | Section 4.5 |
| Actuator does not rotate or does not rotate smoothly. | Broken gearing on pistons or pinion. | Contact nearest FieldQ representative to replace actuator. | Appendix A. |
| | Spring or Spring cartridge is broken. | Contact nearest FieldQ representative to replace actuator. | |
| Limit stop screws cannot be turned out anymore. | Limit stop screws is bend. | Contact nearest FieldQ representative to replace actuator. | |

10.2 Pneumatic Problems

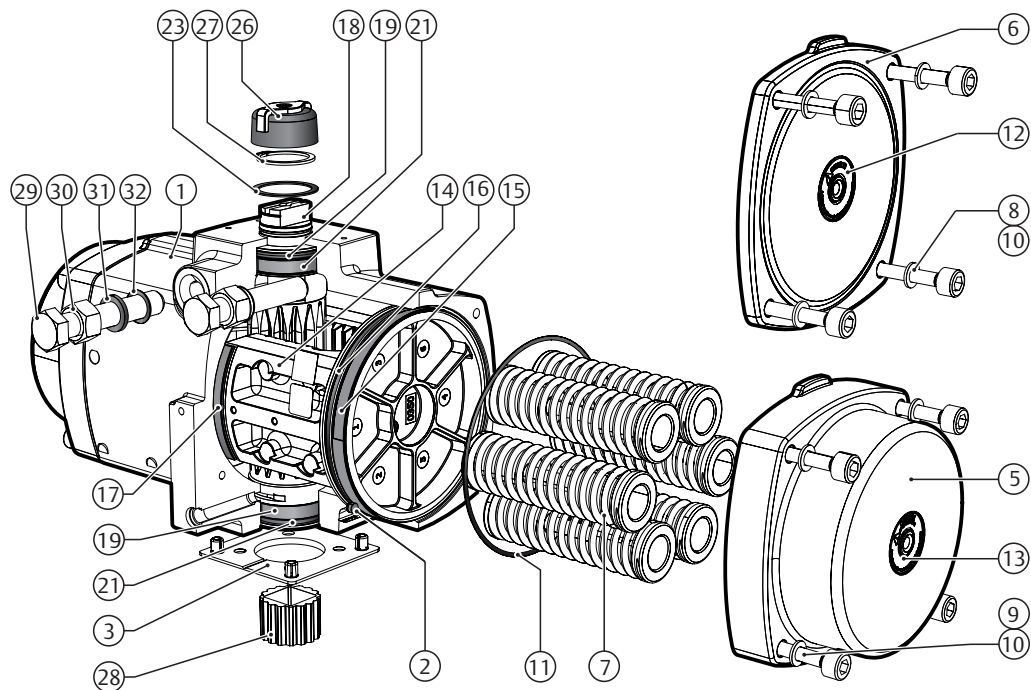
| Problem | Possible error | Solution | Where to find |
|--|---|---|--|
| Actuator does not react to electrical control signal. | There is no supply pressure at the actuator. | Supply the right pressure to the actuator. | Section 2.3 Check that the actual supply pressure is higher than the sizing pressure. |
| Actuator does not react good to electrical control signal. | There is sufficient supply air pressure but insufficient supply air capacity. | Take care the supply air tubing has the right dimensions. | Section 4.6 |
| | Supply pressure too low, causing pilot operated solenoid valve to fail. | Check that supply pressure at the actuator and solenoid is sufficient to operate the actuator. | Section 2.3 Check that the actual supply pressure is higher than the sizing pressure. |
| | Solenoid valve is not mounted properly. | Check the solenoid valve mounting. | Instructions shipped with the solenoid valve. |
| | Speed control throttle (if present) blocks air flow. | Turn the speed control more open. | Instructions shipped with the speed control valve. |
| | Manual override (if present) on the Solenoid Valve is locked. | Unlock manual override on the solenoid valve. | Instructions shipped with the manual override. |
| Air leakage between actuator and solenoid valve. | Sealing between solenoid valve and actuator is not mounted air tight. | Reassemble solenoid valve taking care, that all seals are in place. | Instructions shipped with the solenoid valve. |
| Double-acting actuator will only move to "open" position. | Actuator has wrong solenoid valve configuration. | Mount a solenoid valve suitable for double-acting actuators (4/2 or 5/2 function). | Instructions shipped with the solenoid valve. |
| | | Check that conversion plate on solenoids, that have both 3/2 and 5/2 functions, is in the right position. | Instructions shipped with the solenoid valve. |
| Leakage notice on the actuator. | Seals on the limit stops screws are not air tight. | Turn the lock nut of the bolts tighter; until the leakage stops. | Section 9.6 |
| | Seals on the end caps are not air tight. | Disassemble the end caps, replace O-rings and reassemble. Consider to replace all O-ring seals and bearings. | Section 9.6 or Section 6 |
| | Seals on the pinion top and bottom are not air tight. | Disassemble the complete actuator, replace O-rings and reassemble. Consider to replace all O-ring seals and bearings. | Section 9.6 or Section 6 |

10.3 Electrical Problems

| Problem | Possible error | Solution | Where to find |
|---|--|---|--|
| Actuator does not react to control signals. | Control wiring. Power supply wiring or feedback wiring are not right connected. | Connect all wiring in the right way. | Instructions of the control or feedback accessories. |
| | The power supply voltage is not is not the same as the voltage of the applicable solenoid valve. | Connect the right power supply voltage. | Instructions of the solenoid valve. |
| There are problems with position feedback after sending the actuator to either the "Open" or "Closed" position. | The wiring of the feedback signals may be switched. | Connect the feedback wiring in the right way. | Instructions of the feedback device. |

Section 11: Parts List and Spare Parts Recommendations

11.1 Actuator Size Q40 to Q600

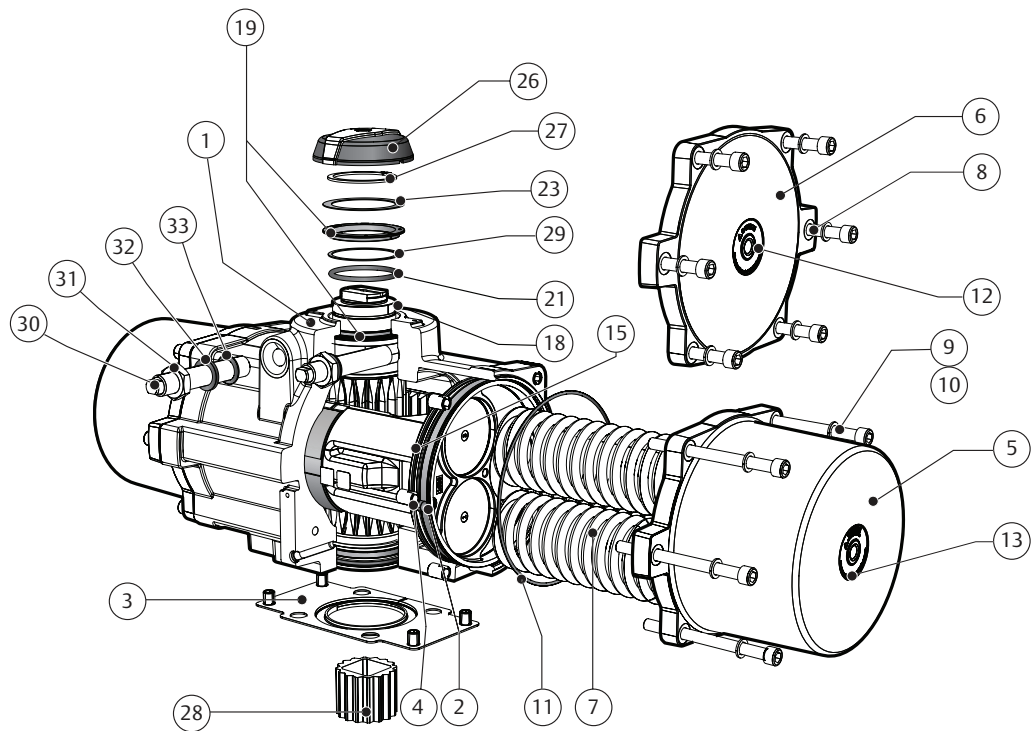


| Pos. | Qty | Notes | Description | Material |
|------|---------|-------|---------------------------|-----------------------------|
| 1 | 1 | | House | Cast Aluminium alloy |
| 2 | 2 | 1 | B-port seal | Nitrile rubber |
| 3 | 1 | | Center plate (option) | Nylon PA6, Black |
| 5 | 2 | 2 | End cap SR (DA) | Cast Aluminium alloy |
| 6 | 2 | 2 | End cap DA | Cast Aluminium alloy |
| 7 | Max. 12 | | Spring cartridge | Spring steel |
| 8 | 8 | | End cap screw DA | Stainless Steel |
| 9 | 8 | | End cap screw SR | Stainless Steel |
| 10 | 8 | | End cap screw washer | Stainless Steel |
| 11 | 2 | 1 | O-ring end cap | Nitrile rubber |
| 12 | 2 | | Warning sticker DA | Polyester |
| 13 | 2 | | Warning sticker SR | Polyester |
| 14 | 2 | | Piston | Cast Aluminium alloy |
| 15 | 2 | 1 | Bearing piston | PTFE 25% carbon-filled |
| 16 | 2 | 1 | O-ring piston | Nitrile rubber |
| 17 | 2 | 1 | Bearing strip piston rack | POM |
| 18 | 2 | | Pinion | High grade aluminium |
| 19 | 2 | 1 | Bearing pinion | POM |
| 21 | 2 | 1 | O-ring pinion | Nitrile rubber |
| 23 | 1 | 1 | Thrust bearing pinion | POM, black UV stabilized |
| 26 | 1 | | Indicator assembly | ABS + stainless steel screw |
| 27 | 1 | 1 | Circlip | Spring steel |
| 28 | 1 | | Drive insert | Aluminium |
| 30 | 2 | | Limit stop screw | Stainless steel |
| 31 | 2 | | Limit stop nut | Stainless steel |
| 32 | 2 | 1 | Limit stop washer | PA66 |
| 33 | 2 | 1 | O-ring limit stop | Nitrile rubber |

Notes:

- 1 Included in Service Kit.
- 2 Actuator sizes 40 to 100 have high end caps for double-acting and spring-return models. Actuator sizes 150 to 1600 have low end caps for double-acting models and high end caps for spring-return models.

11.2 Actuator Size Q950 to Q1600



| Pos. | Qty. | | Description | Material |
|------|--------|---|---------------------------|-----------------------------|
| 1 | 1 | | House | Cast Aluminium alloy |
| 2 | 2 | 1 | B-port seal | Nitrile rubber |
| 3 | 1 | | Center plate (option) | Nylon PA6, Black |
| 4 | 12 | | Thread insert | Steel |
| 5 | 2 | | End cap SR | Cast Aluminium alloy |
| 6 | 2 | | End cap DA | Cast Aluminium alloy |
| 7 | Max. 6 | | Springs | Spring steel |
| 8 | 12 | | End cap screw DA | Stainless Steel |
| 9 | 12 | | End cap screw SR | Stainless Steel |
| 10 | 12 | | End cap screw washer | Stainless Steel |
| 11 | 2 | 1 | O-ring end cap | Nitrile rubber |
| 12 | 2 | | Warning sticker DA | Polyester |
| 13 | 2 | | Warning sticker SR | Polyester |
| 14 | 2 | | Piston | Cast Aluminium alloy |
| 15 | 2 | 1 | Bearing piston | PTFE 25% carbon-filled |
| 16 | 2 | 1 | O-ring piston | Nitrile rubber |
| 17 | 2 | 1 | Bearing strip piston rack | POM |
| 18 | 1 | | Pinion | High grade aluminium |
| 19 | 2 | 1 | Bearing pinion top | POM |
| 20 | 1 | 1 | Bearing pinion bottom | POM |
| 21 | 1 | 1 | O-ring pinion top | Nitrile rubber |
| 22 | 1 | 1 | O-ring pinion bottom | Nitrile rubber |
| 23 | 1 | 1 | Thrust bearing pinion | POM, black UV stabilized |
| 26 | 1 | | Indicator assembly | ABS + stainless steel screw |
| 27 | 1 | 1 | Circlip | Spring steel |
| 28 | 1 | | Drive insert | Aluminium |
| 29 | 1 | 1 | Backup ring | POM |
| 30 | 2 | | Limit stop screw | Stainless steel |
| 31 | 2 | | Limit stop nut | Stainless steel |
| 32 | 2 | 1 | Limit stop washer | PA66 |
| 33 | 2 | 1 | O-ring limit stop | Nitrile rubber |

Notes:

- 1 Included in Service Kit.

Appendix A: Spring Load Removal

This section explains:

- How to remove the spring load safely of spring-return actuators in case:
 - The valve gets “stuck” in mid position.
 - One of the spring cartridges is broken.

⚠ WARNING: MOVING PARTS

A spring-return actuator mounted on a valve, which is stuck in mid stroke, contains a high spring load which will cause a sudden rotation of the actuator versus the valve during disassembly. This can cause serious injury to personnel or damage to material.

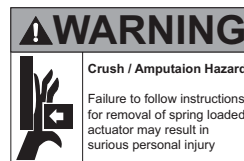
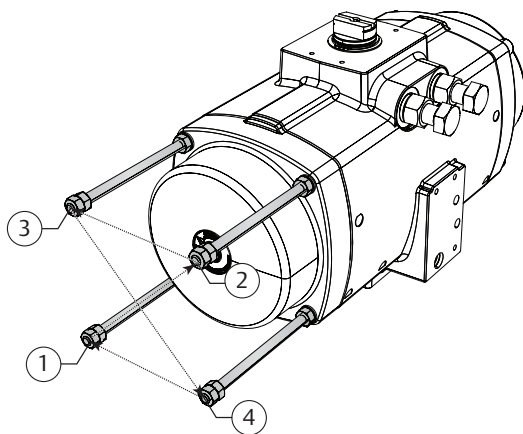
On spring-return actuators with a broken spring cartridge, the end cap can be “shot” away during disassembly of the actuator. This can cause serious injury to personnel or damage to material.

A.1 Spring Load Relief

⚠ CAUTION: ROTATING ACTUATOR

In case of an actuator/valve assembly “stuck” in mid position, leave the actuator on the valve and/or mounting bracket during this procedure.

Figure A-1 Spring Load Removal

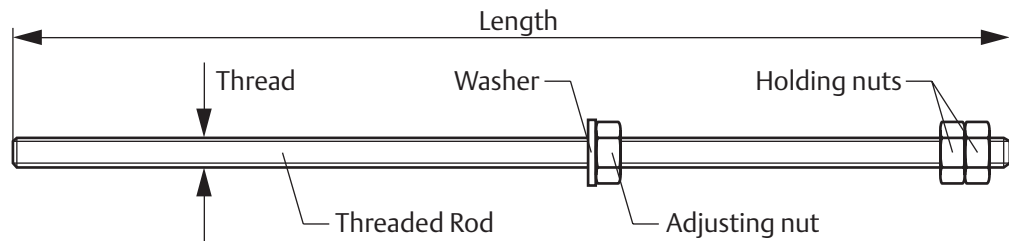


1. Depressurize the actuator completely.
2. Based on the actuator size, choose the correct threaded rod kit from Table A-1.
3. Replace one by one each end cap screw for the threaded rod kit and turn down the adjusting nut until it touches the end cap.
4. Once all for end cap screws have been replaced, gradually turn the adjustment nuts on threaded rod in CCW direction by turning the nuts half turn at a time. Make sure the rod itself does not turn. Continue this until the load of springs are relieved.
5. Repeat the same procedure for the end cap screws on the other size of the actuator as shown in Figure A-1.
6. In case of an actuator/valve assembly “stuck” in mid position: The actuator now can be disassembled from Valve, by removing the mounting studs/bolts.

Table A-1. Threaded Rod Dimensions in mm

| Actuator Size | Thread | Threaded rod length | |
|---------------|--------|---------------------|--------|
| | | (mm) | (inch) |
| Q 40 | M5 | 140 | 5.5 |
| Q 65 | M5 | 140 | 5.5 |
| Q 100 | M5 | 140 | 5.5 |
| Q 150 | M6 | 145 | 5.7 |
| Q 200 | M6 | 145 | 5.7 |
| Q 350 | M8 | 185 | 7.3 |
| Q 600 | M10 | 185 | 7.3 |
| Q 950 | M12 | 498 | 19.6 |
| Q 1600 | M12 | 498 | 19.6 |

Figure A-2 Spring Load Removal Rod Dimensions



Appendix B: Tool & Torque Table

This section explains:

- Which tools to use for the indicated fasteners.
- The recommended amount of torque to apply on the indicated fasteners.

Table B-1. End Cap Bolts

| Actuator size | Thread | Tool | Size | Torque (Nm) | | | Torque (lbf.ft) | | |
|---------------|--------|-----------|------|-------------|------|------|-----------------|------|------|
| | | | | Target | Min. | Max. | Target | Min. | Max. |
| Q 40 | M5 | Allen Key | SW 4 | 2.0 | 1.6 | 3.0 | 1.5 | 1.2 | 2.2 |
| Q 65 | M5 | | SW 4 | 2.0 | 1.6 | 3.0 | 1.5 | 1.2 | 2.2 |
| Q 100 | M5 | | SW 4 | 2.0 | 1.6 | 3.0 | 1.5 | 1.2 | 2.2 |
| Q 150 | M6 | | SW 5 | 3.3 | 2.6 | 5.1 | 2.4 | 1.9 | 3.8 |
| Q 200 | M6 | | SW 5 | 3.3 | 2.6 | 5.1 | 2.4 | 1.9 | 3.8 |
| Q 350 | M8 | | SW 6 | 8.4 | 6.7 | 12.2 | 6.2 | 4.9 | 9.0 |
| Q 600 | M10 | | SW 8 | 15.3 | 12.2 | 24.8 | 11.3 | 9.0 | 18.3 |
| Q 950 | M12 | | SW10 | 24.3 | 19.4 | 41.6 | 17.9 | 14.3 | 30.7 |
| Q 1600 | M12 | | SW10 | 24.3 | 19.4 | 41.6 | 17.9 | 14.3 | 30.7 |

Table B-2. Bottom Flange, Metric Units

| Actuator size | ISO Pattern | Metric Thread | Torque (Nm) | | Imperial Thread | Torque (lbf.ft) | |
|---------------|--------------------|---------------|-------------|-------|-----------------|-----------------|-------|
| | | | Min. | Max. | | Min. | Max. |
| 40, 65, 100 | F05 inner pattern | M6 | 4.5 | 5.0 | 1/4"-20 | 3.3 | 3.7 |
| | F07 outer pattern | M8 | 10.5 | 12.5 | 5/16"-18 | 7.7 | 9.2 |
| 150, 200, 350 | F07 inner pattern | M8 | 10.5 | 12.5 | 5/16"-18 | 7.7 | 9.2 |
| | F10 outer pattern | M10 | 21.0 | 24.5 | 3/8"-16 | 15.5 | 18.1 |
| 600 | F10 inner pattern | M10 | 21.0 | 24.5 | 3/8"-16 | 15.5 | 18.1 |
| | F12 outer pattern | M12 | 34.5 | 43.0 | 1/2"-13 | 25.4 | 31.7 |
| 950 | F10 inner pattern | M10 | 21.0 | 24.5 | 3/8"-16 | 15.5 | 18.1 |
| | F14 outer pattern | M16 | 90.0 | 104.0 | 5/8"-11 | 66.4 | 76.7 |
| 1600 | F16 inner pattern | M20 | 170.0 | 204.0 | 3/4"-10 | 125.4 | 150.5 |
| | F25* outer pattern | 4x M16 | 90.0 | 104.0 | 4x 5/8"-11 | 66.4 | 76.7 |

1. Actuator size 1600 has only 4 holes of the ISO5211 F25 drilling pattern are available.

Table B-3. Adaptation Plate

| Flange | Metric Thread | Torque (Nm) | | Imperial Thread | Torque (lbf.ft) | |
|-------------------------------|---------------|-------------|------|-----------------|-----------------|------|
| | | Min. | Max. | | Min. | Max. |
| Solenoid flange screw threads | M5 | 2.0 | 3.0 | 10-24UNC | 1.5 | 2.2 |
| Top flange screw threads | M5 | 2.0 | 3.0 | 10-24UNC | 1.5 | 2.2 |

Table B-4. Limit Stop Screws

| Actuator size | Thread | Bolt Wrench size (mm) | Nut wrench size (mm) |
|---------------|--------|-----------------------|----------------------|
| | | | |
| 40 | M 8 | 13 | 13 |
| 65 | M 10 | 17 (16) ¹ | 17 (16) ¹ |
| 100 | M 10 | 17 (16) ¹ | 17 (16) ¹ |
| 150 | M 10 | 17 (16) ¹ | 17 (16) ¹ |
| 200 | M 12 | 19 (18) ¹ | 19 (18) ¹ |
| 350 | M 16 | 24 | 24 |
| 600 | M 20 | 30 | 30 |
| 950 | M 22 | 32 | 32 |
| 1600 | M 24 | 36 | 36 |

1. Default dimension according DIN933 standard

2. Dimensions in brackets according ISO4017 standard

Table B-5. Recommended circlip pliers according DIN 5254 (or equal) for shaft circlips

| Actuator size | Pinion top diameter | | Pliers according DIN |
|---------------|---------------------|--------|----------------------|
| Q40 - Q100 | 22 mm | 0.866" | A2 |
| Q150 - Q350 | 36 mm | 1.417" | A3 |
| Q600 | 55 mm | 2.165" | A3 |
| Q 950 | 65 mm | 2.559" | A3 |
| Q 1600 | 75 mm | 2.953" | A3 |

Table B-6. Angular Displacement Limit Stops

| Actuator size | Turns for 5° adjustment of the pinion: | 360° revolution of limit stop screw will adjust |
|---------------|--|---|
| Q 40 | 0.8 | 6.3° |
| Q 65 | 0.6 | 8.3° |
| Q 100 | 0.7 | 7.1° |
| Q 150 | 1.2 | 4.2° |
| Q 200 | 1 | 5.0° |
| Q 350 | 0.8 | 6.3° |
| Q 600 | 0.8 | 6.3° |
| Q 950 | 1.1 | 4.7° |
| Q 1600 | 1.3 | 4.1° |

Appendix C: Full Stroke Adjustment Option

This section explains:

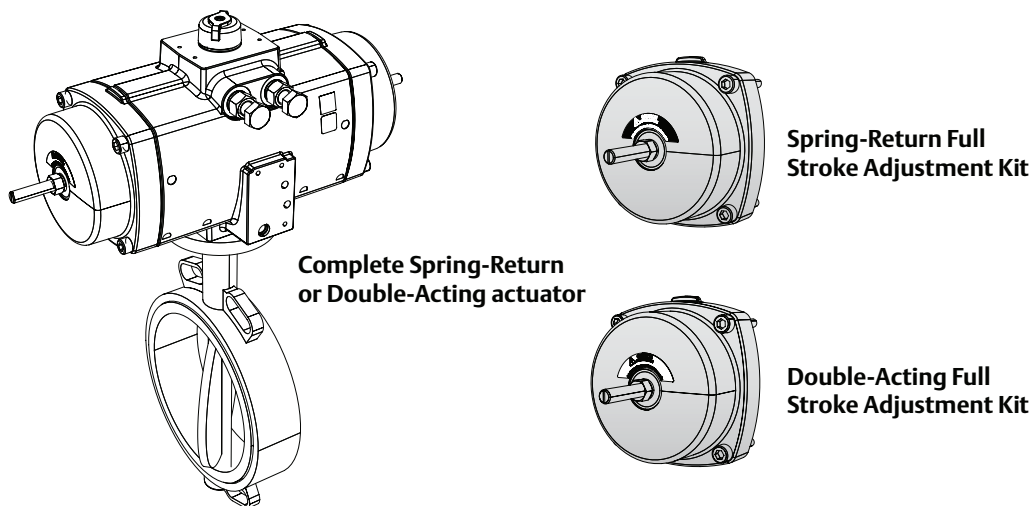
- How to mount the Full Stroke Adjustment option to an actuator.
- How to adjust the Full Stroke Adjustment option to a required rotation angle.

C.1 Full Stroke Adjustment Option

The Full Stroke Adjustment option is available as a complete actuator or as an end cap conversion kit in order to upgrade a standard actuator into a Full Stroke Adjustment version.

The option is available for sizes 40 to 600 and both the double acting kit and spring return kit use the spring return end cap.

Figure C-1 Availability Formats of the Full Stroke Adjustment Option



C.2 Convert a Standard Actuator into a Full Stroke Adjustment Version

Before starting to assemble the Full Stroke adjustment kit, please check the kit for completeness. See Figure C-2.

Figure C-2 Full Stroke Adjustment Kit Content

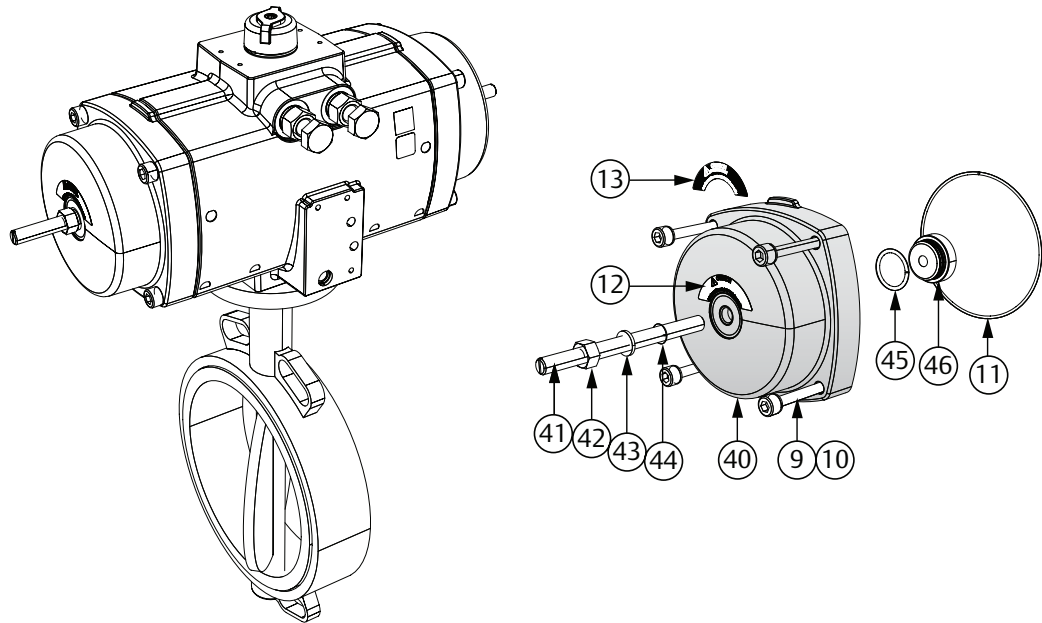


Table C-1 Content Full Stroke Adjustment kit

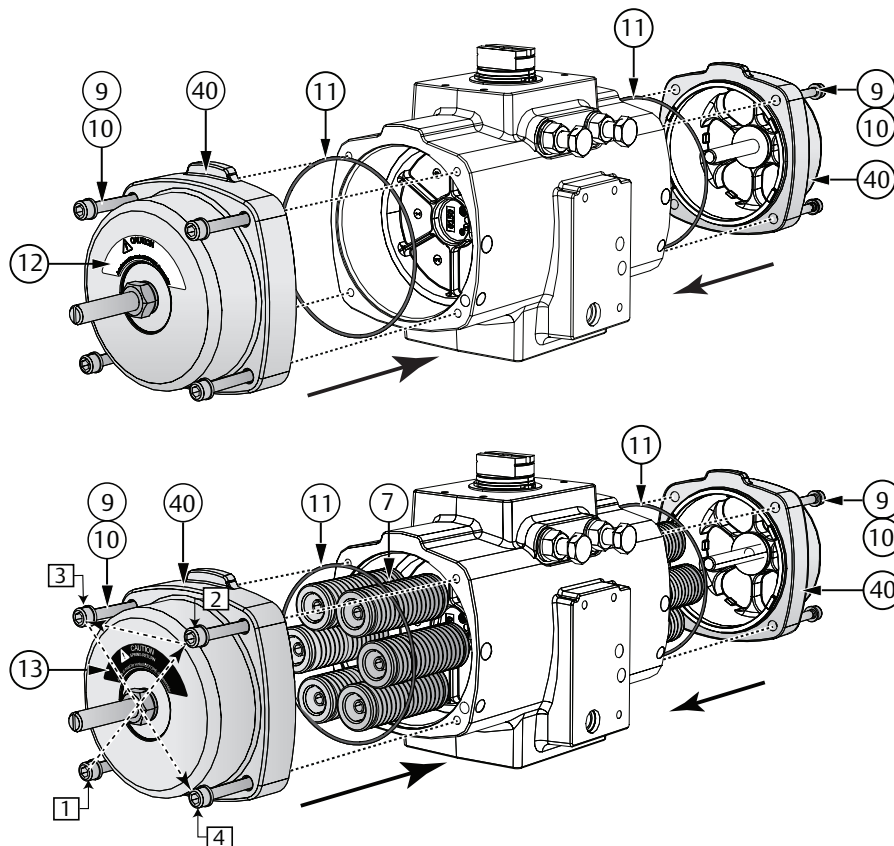
| Pos. | Description | Material | Qty. | Notes |
|------|---|----------------------|------|-------|
| 40 | End cap - Full stroke adjustment | Cast Aluminium alloy | 2 | 1 |
| 41 | Full Stroke adjustment screw | Stainless steel | 2 | |
| 42 | Full Stroke adjustment Nut | Stainless steel | 2 | |
| 43 | Full Stroke adjustment washer | PA66 | 2 | |
| 44 | O-Ring - Full Stroke adjustment screw | Nitrile rubber | 2 | |
| 45 | O-Ring - Thread bush | Nitrile rubber | 2 | |
| 46 | Thread bush | Aluminium | 2 | |
| 9 | End cap screw | Stainless steel | 8 | |
| 10 | Washer end cap screw | Stainless steel | 8 | |
| 11 | O-ring end cap | Nitrile rubber | 2 | |
| 12 | Warning sticker DA Full Stroke adjustment | Polyester | 2 | |
| 13 | Warning sticker SR Full Stroke adjustment | Polyester | 2 | |

1. The same Full Stroke adjustment end cap is used for both double acting and spring return actuators (flat double acting actuator end caps with Full Stroke Adjustment options are not available).

C.2.1 Procedure

1. Remove the existing end caps of a standard actuator.
 - Follow the instructions of Section 8 to remove both the end caps of the actuator.
 - For spring return actuators; note the original positions of the spring cartridges.
2. Mount the Full Stroke Adjustment End cap kit to the actuator.
 - The stroke adjustment screw (41) is factory set at the 90° position.
3. Grease the O-ring seals (11) and B port seals (2) according to Section 9.1.
4. Ensure that O-ring seals (11) and B port seals (2) are kept in place during assembly.
5. For spring return actuators; place the spring cartridges (7) back in their original positions.
6. Install the Full Stroke end cap kits and tighten the end cap screws (9,10). For spring return units; tighten each endcap screw (9,10) in small equal turns and in the sequence as per Figure C-3. Refer to Appendix B, Table B-1 for the correct torque.
7. For Spring Return units, place the black warning sticker (13) on the end cap. For Double Acting units, place the white warning sticker (12) on the end cap.

Figure C-3 Assembly of Full Stroke Adjustment End Cap Kit



C.3 Full Stroke Adjustment Setting

NOTE:

Standard actuators or actuators with the Full Stroke Adjustment option are shipped by default with a rotation setting of $90^\circ \pm 0.5^\circ$.

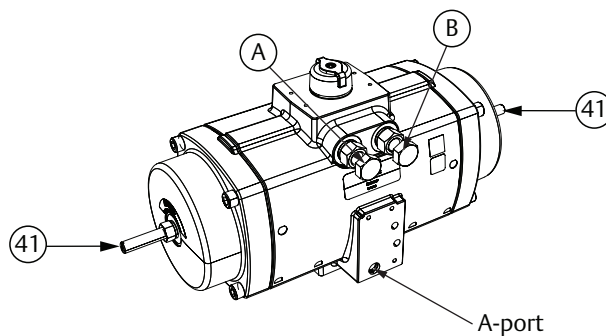
The stroke adjustment setting procedure can be two steps:

1. Setting the Full Stroke Adjustment screw to the 90° (factory) position.
 - This step can be applicable if a standard actuator needs to be converted with a Full Stroke Adjustment end cap kit or if the position of the Full Stroke Adjustment screw is somehow lost.
2. Setting the Full Stroke Adjustment screw to the required angle.

C.3.1 Factory Setting Procedure

1. In order to set the Full Stroke Adjustment Screws accurately to the outward position:
 - Do not change the setting of the DSA limit stop screws (A and B) located above the air connection interface.
 - Move the pistons of the actuator outwards by applying pressure to the A-port.
2. Screw in both the Full Stroke Adjustment Screws (41) until the screws touch the pistons. You will feel an obstruction.
Important: Do not overtighten the screws.

Figure C-4 DSA Limit Stop Screw Setting



You have now set the adjustment screw to the factory setting

Notes:

1. Only the outward stroke can be adjusted with the Full Stroke Adjustment screws.
 - In case of assembly code CW, the left side limit stop (A) is redundant.
 - In case of assembly code CC, the right side limit stop (B) is redundant.
2. For the inward stroke the standard limit stops can be used:
 - The right side limit stop (B) for assembly code CW
 - The left side limit stop (A) for assembly code CC

C.3.2 Setting the Full Stroke Adjustment Screw to the Required Angle

1. Move the pistons of the actuator inwards.
 - For Spring Return actuators this happens automatically when the actuator is vented.
 - For double acting actuators vent the A-port and apply pressure to the B-port.
2. In order to set the actuator to the required angle, use next table to define the number of revolutions which you have to turn in the Full Stroke Adjustment Screws.
3. Turn in both the adjustment screws (41) as defined in step 2. Both the adjustment screws should be turned in with the same length or number of revolutions.

⚠ CAUTION: DO NOT SET SCREWS UN-EQUAL

Screwing in only one adjustment screw or un-equal setting of both the screws will lead to high point loads on the pistons and can cause premature failure of the actuator.

4. Test cycle the actuator to check if the correct rotation angle is set. If required, repeat steps 1 to 3 to adjust the rotation angle to the required angle.

Table C-2 Actuator angle rotation per full revolution of Full Stroke adjustment screw

| Actuator size | Stroke | | Flathead screw driver | Screw | | Actuator angle rotation per full revolution of screw |
|---------------|--------|------|-----------------------|--------|------------|--|
| | mm | inch | | Thread | Pitch (mm) | |
| 40 | 18.8 | 0.74 | 1.2 x 6.5 | M8 | 1.25 | 6.0° |
| 65 | 22.0 | 0.87 | 1.2 x 6.5 | M8 | 1.25 | 5.1° |
| 100 | 25.1 | 0.99 | 1.2 x 6.5 | M10 | 1.5 | 5.4° |
| 150 | 31.4 | 1.24 | 1.2 x 6.5 | M10 | 1.5 | 4.3° |
| 200 | 37.7 | 1.48 | 1.2 x 6.5 | M10 | 1.5 | 3.6° |
| 350 | 37.7 | 1.48 | 1.2 x 6.5 | M12 | 1.75 | 4.2° |
| 600 | 44.0 | 1.73 | 1.2 x 6.5 | M16 | 2 | 4.1° |

World Area Configuration Centers (WACC) offer sales support, service, inventory and commissioning to our global customers. Choose the WACC or sales office nearest you:

NORTH & SOUTH AMERICA

19200 Northwest Freeway
Houston TX 77065
USA
T +1 281 477 4100

Av. Hollingsworth
325 Iporanga Sorocaba
SP 18087-105
Brazil
T +55 15 3413 8888

ASIA PACIFIC

No. 9 Gul Road
#01-02 Singapore 629361
T +65 6777 8211

No. 1 Lai Yuan Road
Wuqing Development Area
Tianjin 301700
P. R. China
T +86 22 8212 3300

MIDDLE EAST & AFRICA

P. O. Box 17033
Jebel Ali Free Zone
Dubai
T +971 4 811 8100

P. O. Box 10305
Jubail 31961
Saudi Arabia
T +966 3 340 8650

24 Angus Crescent
Longmeadow Business Estate East
P.O. Box 6908 Greenstone
1616 Modderfontein Extension 5
South Africa
T +27 11 451 3700

EUROPE

Holland Fásor 6
Székesfehérvár 8000
Hungary
T +36 22 53 09 50

Strada Biffi 165
29017 Fiorenzuola d'Arda (PC)
Italy
T +39 0523 944 411

For complete list of sales and manufacturing sites, please visit www.emerson.com/actuationtechnologieslocations or contact us at info.actuationtechnologies@emerson.com

www.emerson.com/fieldq

©2019 Emerson. All rights reserved.

The Emerson logo is a trademark and service mark of Emerson Electric Co. FieldQ™ is a mark of one of the Emerson family of companies. All other marks are property of their respective owners.

The contents of this publication are presented for information purposes only, and while every effort has been made to ensure their accuracy, they are not to be construed as warranties or guarantees, express or implied, regarding the products or services described herein or their use or applicability. All sales are governed by our terms and conditions, which are available on request. We reserve the right to modify or improve the designs or specifications of our products at any time without notice.